

# SCENT CRUSHER®

## Ozone Boot Dryer

Instruction Manual



**CAUTION:** Read manual carefully for proper procedures and operation.

**NEED HELP?** Please contact our Customer Service Line BEFORE returning item to the store.

This product is designed for drying and eliminated odors from items such at boots, shoes or gloves.

### **HOW OZONE WORKS**

Ozone, or O<sub>3</sub>, is a tri-atomic form of oxygen and is one of nature's most powerful oxidizers. O<sub>3</sub> has been used as a powerful organic cleaner for years. Ozone attacks and kills bacteria that cause odor and then converts safely back into oxygen, leaving your gear scent-free.

### **WARNING AND SAFETY INSTRUCTIONS**

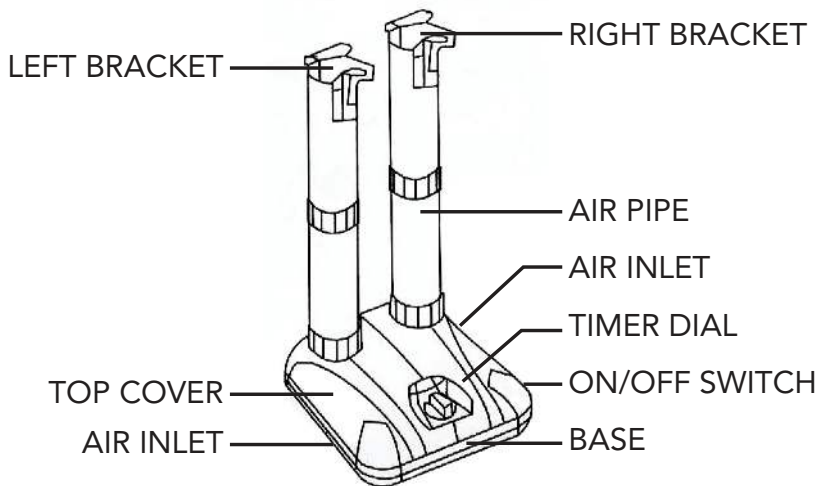
- USE ONLY FOR INTENDED PURPOSES.
- READ AND UNDERSTAND ALL SAFETY WARNINGS BEFORE USING THIS PRODUCT.
- USE IN WELL VENTILATED AREA.
- KEEP AWAY FROM CHILDREN AND PETS.
- PRODUCT MUST NOT COME IN CONTACT WITH WATER OR OTHER LIQUIDS.
- AVOID USE IN AN ENVIRONMENT WITH STRONG STATIC ELECTRICITY OR MAGNETIC FIELD.
- AVOID USE IN HIGH TEMPERATURE ENVIRONMENT (ABOVE 42° C) OR IN HIGH HUMIDITY.
- DO NOT DISMANTLE OR TAMPER WITH THE EQUIPMENT.
- DO NOT BLOCK THE AIR OUTLET AS IT WILL AFFECT THE AIR VENTILATION.

In some people, minor levels of ozone exposure may cause irritation to eyes or the respiratory system and may cause mild headache. If this occurs, move to fresh air and/or flush eyes gently with water to clear symptoms. Seek medical attention as needed if conditions persist.

### **SPECIFICATIONS**

|                      |                               |               |                  |
|----------------------|-------------------------------|---------------|------------------|
| Model                | 69411                         | Input Voltage | AC 110V/50Hz     |
| Power                | 200W                          | Product Size  | 25 x 25.5 x 62cm |
| Over Heat Protection | Thermal cut off, thermal fuse |               |                  |
| Ozone Output         | 10 mg/hr                      |               |                  |

Operating time will vary due to different sizes, materials and conditions of your items.



## **OPERATING INSTRUCTIONS**

NOTE: Remove all packaging before using for the first time.

- 1) Rotate the Timer Dial to desired application time.
- 2) To turn machine on, insert power plug into wall outlet. This will start the flow of the heated air.
- 3) Turn the ON/OFF Switch on the side of unit to the ON position to activate the flow of ozone..

## **CAUTION!**

- Unplug your Equipment Station from the wall outlet when not in use and before cleaning.
- Never put product, cord or power plug in water.
- Never disassemble or self-repair product – it may cause injury, fire or malfunction.
- Keep air inlet clear of all obstructions during use.
- Do not operate near heating appliances.
- Not for use by children.
- If the power cord is damaged, do not use product. Cord must be replaced by the manufacturer.

## **CLEANING:**

- Before cleaning, unplug your Ozone Boot Dryer.
- Clean product with damp cloth.

## LIMITED WARRANTY

MoJack warrants the product for two years against failure due to defect in material or workmanship when product is used properly. MoJack will replace any defective part at no cost. This warranty does not cover any product that has been altered or adjusted, or any product that has been misused or abused. THIS IS THE CUSTOMER'S SOLE AND EXCLUSIVE REMEDY. MOJACK DISCLAIMS ALL IMPLIED WARRANTIES, INCLUDING THE WARRANTY OF MERCHANTABILITY AND FITNESS FOR A PARTICULAR PURPOSE. MOJACK SHALL NOT BE LIABLE FOR ANY INCIDENTAL OR CONSEQUENTIAL DAMAGES. SOME STATES OR PROVINCES DO NOT ALLOW THE EXCLUSION OR LIMITATION OF THE IMPLIED WARRANTIES OR THE REMEDIES FOR BREACH OF THE IMPLIED WARRANTIES, SO THESE EXCLUSIONS MAY NOT APPLY TO YOU. THIS LIMITED WARRANTY GIVES YOU SPECIFIC LEGAL RIGHTS, AND YOU MAY ALSO HAVE OTHER RIGHTS WHICH VARY FROM STATE TO STATE OR PROVINCE TO PROVINCE.

### What does this warranty cover?

This warranty covers against a failure due to a defect in material or workmanship within two years of original retail purchase.

### What does this warranty NOT cover?

This warranty does not cover any product which has been altered or adjusted in any way from its original model. It will not cover any product which has been damaged due to misuse, abuse, accident or negligence. This warranty does not cover incidental or consequential damages. This warranty does not apply to product purchased used or from an unauthorized seller.

### What will be done to correct problems?

We will replace any defective part (within the coverage period) at no charge.

### How do I contact someone about a warranty issue?

You can contact our toll-free number 1-877-575-3173 or use our website at [www.scentcrusher.com](http://www.scentcrusher.com). In order to be eligible for this warranty you must keep your receipt as proof of date of sale.

### What is the return policy?

Please refer to the Return Policy and Procedures of your place of purchase for returns and refunds.

---

**Customer Service**  
**1-877-575-3173**  
**[www.scentcrusher.com](http://www.scentcrusher.com)**

### **2 YEAR LIMITED WARRANTY**

Warranty is void if machine is mistreated or disassembled

Customer Service Line: 1-877-575-3173

[www.scentcrusher.com](http://www.scentcrusher.com)

**SCENT CRUSHER®** 

A DIVISION OF  **MoJack**

3535 N. Rock Road | Wichita, KS 67226 USA

1-877-575-3173

[www.scentcrusher.com](http://www.scentcrusher.com)