



PERFORMANCE. OPTIMIZED.

405

OWNER'S MANUAL



PATENTS: www.feradyne.com/patents
WARRANTY: www.feradyne.com/warranties



WARNING! You must read and follow all safety warnings and instructions in this manual.

Retain instructions and safety manual for future reference

TABLE OF CONTENTS	PAGE #
INTRODUCTION	1
CROSSBOW SAFETY	1-5
AX405 OVERVIEW	6
ADJUSTABLE FEATURES	7
TRIGGER SLIDE	8
BOLTS/NOCKS/VANES	8-9
OPTICS	10-11
COCKING/UNCOCKING	11
LOADING/UNLOADING	12
SHOOTING	13
SIGHTING IN	14
WARRANTY	15-18

INTRODUCTION

Thank you for the purchase of your new AXE® crossbow! With proper care and maintenance, your AXE® crossbow will provide years of trouble free service. This crossbow has been designed, manufactured and tested for safety and performance when used in accordance with the instructional materials provided. Before you begin assembly or shooting, read and understand the information contained in this manual thoroughly.

WITHOUT PROPER WORKING KNOWLEDGE OR UNDERSTANDING OF YOUR CROSSBOW'S OPERATION, YOU COULD DAMAGE YOUR CROSSBOW OR CAUSE SERIOUS INJURY TO YOURSELF OR OTHERS.

If any part of this manual is unclear, contact a customer service representative at feradyne.com/contact for assistance. After thoroughly reading and understanding this material, save for future reference. Review the manual periodically, and at least annually. Provide a copy to any other user of the crossbow and insist that they read the manual in its entirety prior to use.

CROSSBOW SAFETY

Crossbows are weapons that allow for projectiles to be fired at high speeds. Errant or improperly shot bolts may seriously injure or kill any person. Crossbows should be treated with the same care and safety as firearms. The use of a crossbow requires considerable skill and should be treated with caution to avoid injury to persons and/or property.

Crossbows should only be used by those who are properly trained in safety or under the supervision of a qualified instructor. By nature of the crossbow design, the bowstring can cause significant injury if it contacts any part of the body during release. **TO AVOID SERIOUS INJURY, IT IS IMPERATIVE THAT USERS KEEP ALL PARTS OF THE BODY AWAY FROM THE PATH OF THE BOWSTRING AT ALL TIMES.**

Keep your front hand, fingers, and thumb on the forearm grip, below the travel path of the bow string and cables. Safety glasses should be worn while working with crossbows and archery equipment. Read, understand and follow all assembly instructions, warnings and other information included with the crossbow, bolts, hardware and accessory packages.

FAILURE TO UNDERSTAND AND FOLLOW ALL INSTRUCTIONS AND WARNING MAY CAUSE SERIOUS INJURY OR DEATH TO YOURSELF OR OTHERS.

POINTS OF SAFE SHOOTING

By nature of the crossbow design, the bowstring travels along the path of the crossbow stock at high speeds. The bowstring is a high energy device and moves with such force it can cause significant injury if it contacts any part of the body during release. To avoid serious injury, the user must keep all parts of the body away from the path of the bowstring and cable paths at all times!

PLACING YOUR HANDS, FINGERS, THUMBS OR ANY OTHER BODY PARTS IN THE PATH OF THE CROSSBOW STRING OR CABLES MAY CAUSE SERIOUS INJURY INCLUDING AMPUTATION.

CROSSBOW SAFETY

Never place any part of your body in the travel path of the crossbow string or cables. Keep your front hand, fingers, and thumb on the forearm grip of the stock, below the travel path of the string and cables when firing. Prior to shooting any bolt, users must read the instructions and watch the videos at www.safearrow.com to learn how to safely use their bolts and equipment, and to learn other safe hunting techniques. Prior to shooting, bolts must ALWAYS be flexed in a gradual arc and visually inspected for delamination, splitting or impact marks or other damage.



A damaged shaft could fail completely upon release and cause injury to yourself or others, and must never be used or loaded. Never shoot a damaged shaft. After loading the crossbow, do not point at yourself or others to protect against inadvertent or accidental discharge. Do not shoot unless the target is visible and you are aware of what is behind the target area. Do not shoot at any unknown target. Targets must be specifically designed for crossbow use. Targets not designed for crossbow use, or targets with hard edges, plastics or metal can cause ricochet and/or damage to bolts and may lead to serious injury and/or death. Be conscious of any other persons in the shooting location. Ensure that all other persons are behind you in the opposite direction of the target prior to firing a crossbow. Be conscious of shooting technique and sequence. Careless handling of crossbow and bolts and/or distractions can lead to serious injury to yourself and others. Remember safety begins and ends with you. Be responsible, use safe shooting techniques and use safe practices to safeguard both yourself and others.

GENERAL SAFETY PRECAUTIONS

Always treat your crossbow with the respect due any sporting arm. Treat every crossbow as if it were loaded. It can be dangerous or deadly if mishandled.

Always point crossbow in a safe direction.

Always know your target and what is beyond it. Never shoot at a target on the horizon if you don't know what is on the other side.

Before each shooting session, inspect your crossbow equipment for worn, loose, damaged or missing parts. Replace any worn, lost or damaged parts.

Inspect the cables and crossbow string for signs of fraying or broken strands. Replace any missing, lost or damaged parts that are observed or suspected. Do not use the crossbow if these parts are missing or damaged. Use only genuine AXE replacement parts.

Visit feradyne.com/contact with any questions.

Keep your fingers and other objects away from the trigger and trigger guard area until you are ready to shoot.

Do not shoot the crossbow if the bowstring section that the bolt nock rests against is frayed or missing (this is the center section of the bowstring that has the serving wrapped over it. (see figure A).

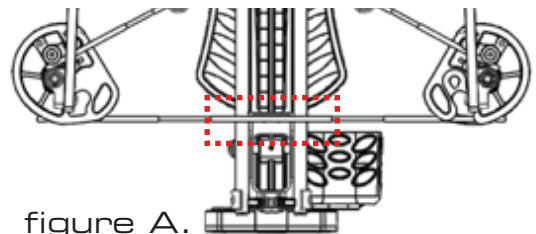


figure A.

Do not transport a cocked or loaded crossbow. Always use a well designed crossbow case when transporting your crossbow to help protect it from damage.

Never dry-fire your crossbow. Shooting without a bolt is damaging to the crossbow and could cause serious personal injury. In the event of a dry-fire, the bow must be inspected by an authorized dealer or by AXE before being re-cocked or shot.

Always make sure crossbolt is fully seated in furthest back position to reduce possibility of dry-fire.

Crossbows are designed to use specifically designed bolts that are ordinarily heavier than arrows used in a bow. Never use ordinary bolts or arrows in this crossbow.

WARNING: Failure to index bolt nock correctly could cause a dry-fire and/or injury to the user or others.

Always shoot bolts of the recommended weight, length and nock style for your particular crossbow model.

Failure to use the correct type of bolt could lead to serious injury or death.

Never attempt to shoot any projectile other than bolts specifically designed for use in your particular crossbow model.

Never place any part of your body into the travel path of the crossbow string or cables. Keep your front hand/fingers on the forearm grip of the stock below the Finger/Thumb Guard, and out of the travel path of the string and cables when firing.

Keep the crossbow limbs clear of obstructions such as tree limbs or shooting rests when firing.

Never loan this product to others unless they read and fully understand all usage instructions and warnings for this product, and have viewed www.safearrow.com.

Do not attempt to use this product while under the influence of alcohol, prescription or non-prescription drugs.

When hunting from heights, make sure you are using a fall arrest system (FAS) that is certified to meet or exceed all applicable Industry Standards recognized by TMA (Treestand Manufacturer's Association) as tested and certified by an independent laboratory.

Your crossbow was designed for hunting and target shooting only. Do not use it for any other purpose.

Do not leave your crossbow cocked for extended periods of time or overnight.

Replace strings and cables every 2 years or earlier if visible signs of fraying or broken strands are evident.

When practice shooting, wear eye protection and be sure your range is located in a spacious area free of buildings and your target is designed for crossbow use. Bag style targets work well for practice tipped bolts. High-density foam targets work well for broadhead practice.

RESPECT YOUR EQUIPMENT

It is essential to use equipment appropriate for the game you are hunting. Many problems in the field are solved easily by a knowledgeable and prepared crossbow hunter.

Ensure that your crossbow is properly fitted to you and meets the legal and ethical requirements of the game you plan to hunt. Not all states allow for crossbow hunting. Some states limit the use of crossbows. Prior to hunting, make sure you know the legal requirements of the location in which you plan to hunt.

Ensure that the crossbow is in good operating condition by following the instructions contained within this instruction manual. Make a habit of conducting a pre-use inspection of your equipment before each trip.

Purchase bolts that are designed for this crossbow. Improperly selected bolts that do not match the crossbow correctly can lead to poor accuracy, damaged equipment, or serious injury or death.

Bolts must be properly fitted (i.e. length and weight) and have been properly inspected according to the instructions provided at www.safearrow.com prior to using your crossbow.

Tune your crossbow to the equipment (such as broadheads) you will be using for hunting.

Keep your crossbow dry, clean and well lubricated. Make a habit of cleaning and caring for your crossbow after every use.

RESPECT YOUR HUNTING COMPANIONS

Crossbow hunting is a great experience to share with friends and companions. There are four key ways to maintain friendships on a hunt.

Shared Values: Crossbow hunting companions must respect wildlife, landowner relations, the rules of the game and other considerations. If your hunting companions do not share your respect for crossbow hunting, you would be wise to choose other partners.

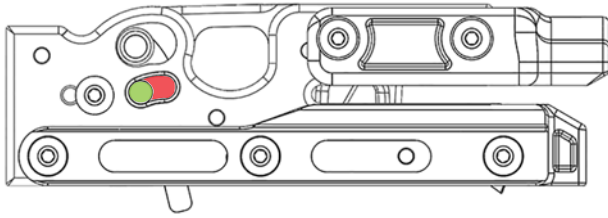
Dependability: Hunting companions must be able to depend on one another and trust each other's word. Agreements are important on such things as the time to meet for the hunt, the time to stop hunting and what hunting areas are assigned to each hunter.

Courtesy: Be considerate and thoughtful of others. Avoid wandering around the hunting areas and walking up on your companions.

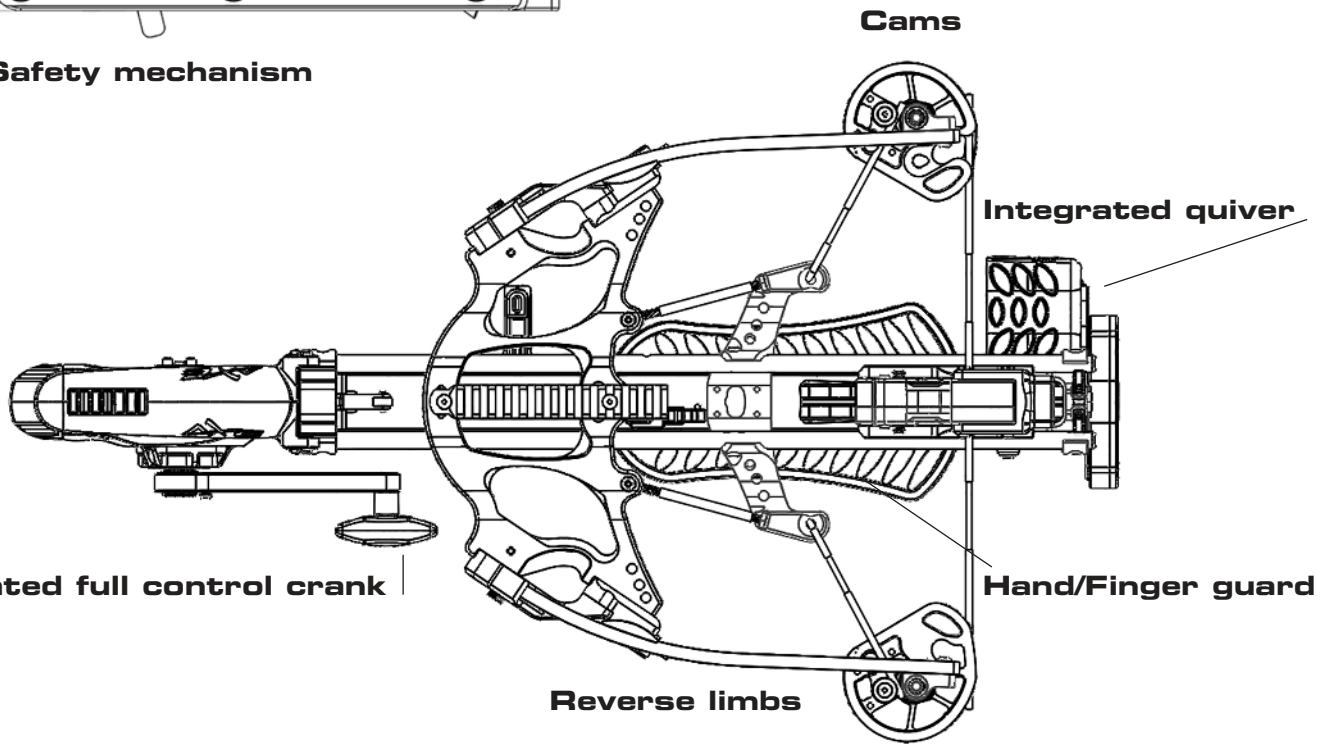
Communication: Thoroughly discuss all important aspects of the hunt. Maintaining good communication with companions should eliminate most problems.

AX405 Overview

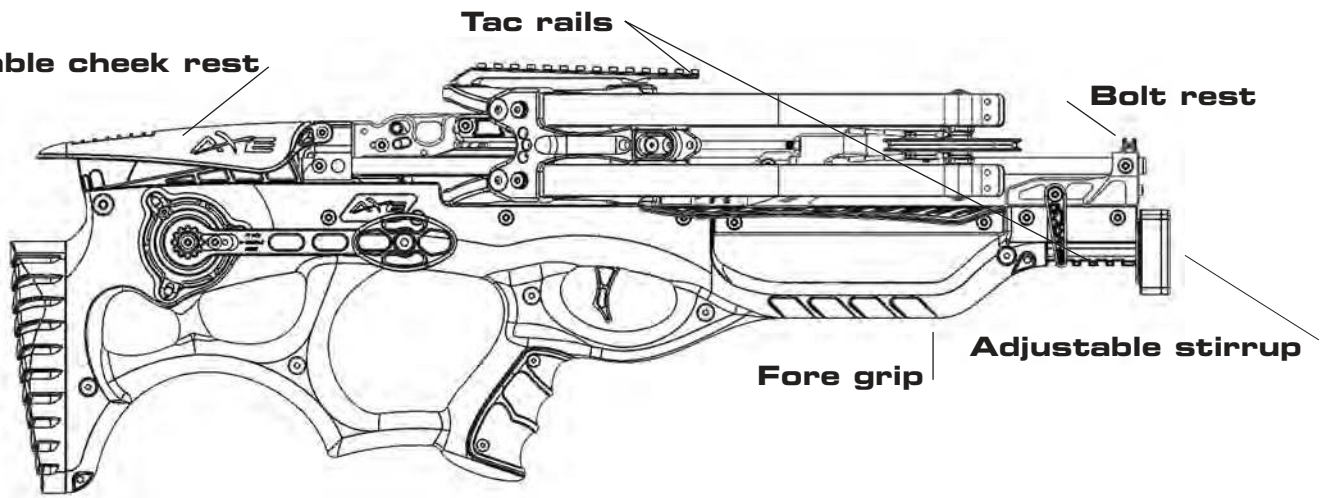
Trigger box slide



Safety mechanism



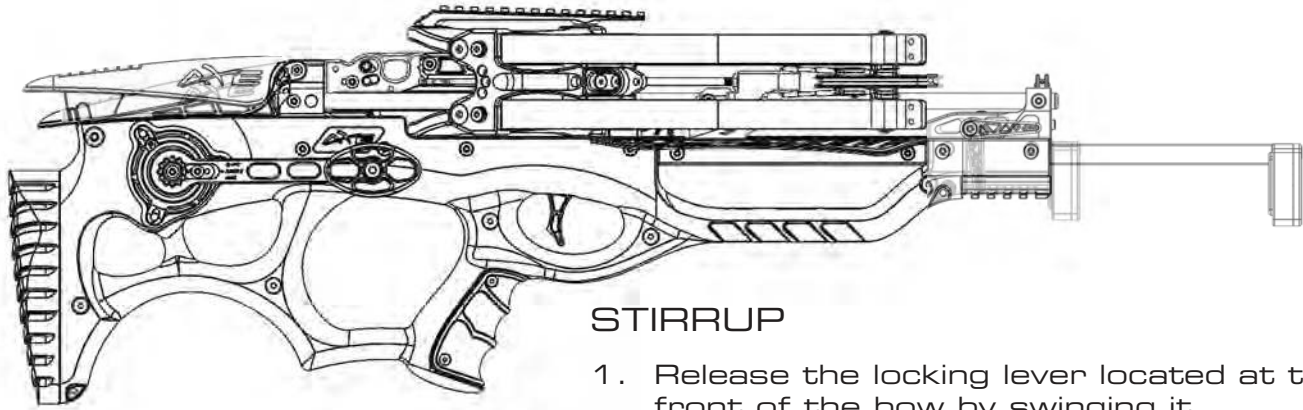
Adjustable cheek rest



ADJUSTABLE FEATURES

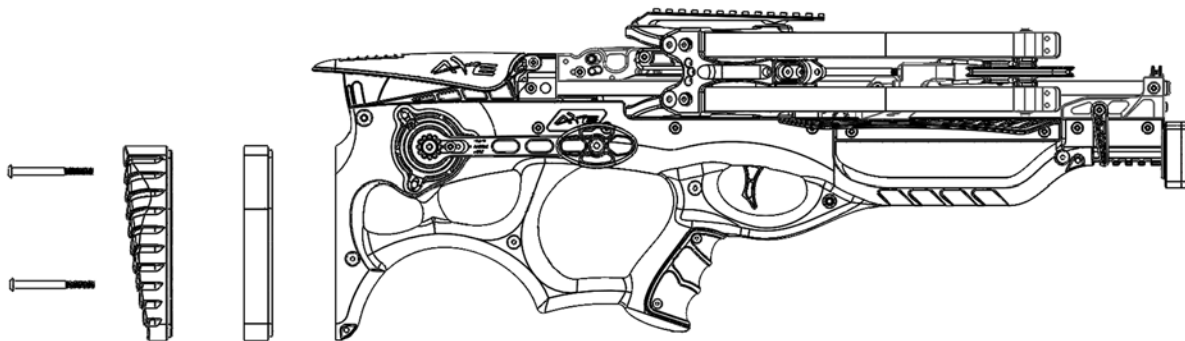
CHEEK REST

1. Loosen the screw located in the slot of the cheek rest.
2. Manually adjust the cheek rest to your desired height.
3. Tighten the screw to lock the cheek rest into position.



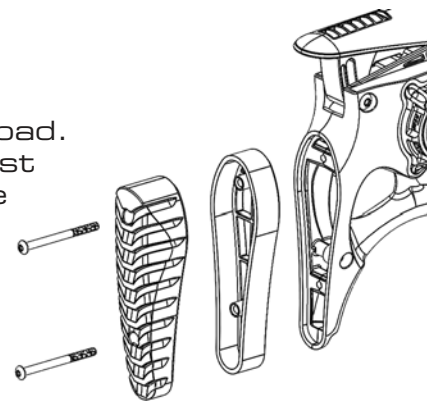
STIRRUP

1. Release the locking lever located at the front of the bow by swinging it up and forward, parallel to the bow.
2. Extend the stirrup to your desired length.
3. Lock the lever by swinging it back and down, perpendicular to the bow.



BUTT PAD *The AX405 comes with two, 3/4" butt pad extensions.*

1. Remove the two screws located in the back of the butt pad.
2. Insert extension(s). Extension pieces are designed to nest into the stock with the smaller, rimmed side entering the larger, cavitated side.
3. Insert and tighten screws.

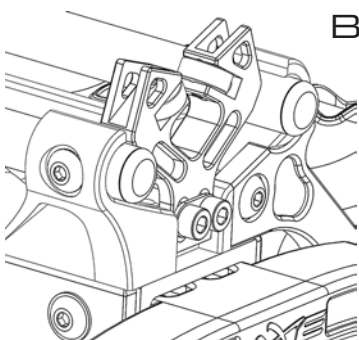


BOLT REST

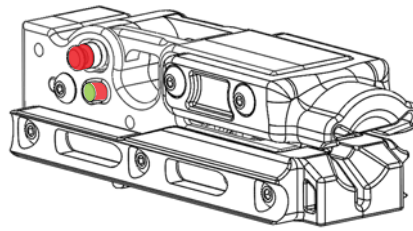
The AX405 features an adjustable bolt rest. The bolt rest is factory set, but should you need to re-tune...

1. Loosen the two hex screws located at the base of the slide.
2. Lower the rest all the way down.
3. Slowly move the rest up until there is no high tear while paper tuning.

*If this language is foreign to you, do not attempt to adjust. Take to your local crossbow technician for retuning.

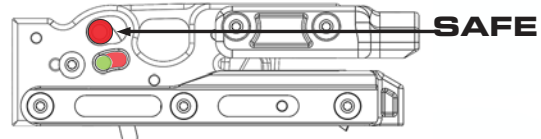


TRIGGER SLIDE

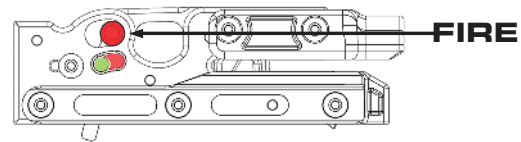


The AXE trigger slide box is a sophisticated mechanism maximizing performance and accuracy while keeping you safe.

The Trigger is in SAFE position when the switch is back over the green circle.



The trigger is in FIRE position when the switch is forward over the red circle.



The trigger slide box automatically engages the safety while drawing back the string. (the safety will not auto engage if the trigger slide box is not clipped in and drawing the string)

The AXE trigger slide box contains the dry-fire inhibitor (DFI). The DFI system is automatically activated when the trigger slide box is engaged with the string. The DFI mechanism will only disengage when an AXE Micro bolt is fully inserted into the trigger mechanism and the AXE aluminum nock or stainless steel Lit Nock is clipped onto the bowstring. Flat, half-moon, slotted moon or universal nocks will not activate the DFI and should not be used.

The AXE trigger slide box contains an integrated Bolt funnel (figure B). This act as a loading guide and ensures proper loading every time.

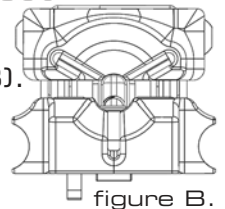


figure B.

BOLTS/NOCKS/VANES

To minimize risk of serious injury the user must:

- Use only AXE bolts with AXE aluminum or stainless steel lit nocks.
- Do not use AXE bolts on any other crossbow.
- Confirm the nock is properly indexed with the fletching
- Fully engage the AXE nock with the bowstring. Doing so requires a bit of force. You will hear and feel the nock “click” onto the bowstring.
- IF you intend to use a mechanical broadhead, ensure the broadhead is rated for crossbow usage.
- Inspect carbon bolts shafts and nocks for hairline fractures or cracks. Firing a damaged bolt can cause the bolt shaft to shatter, scattering fragments. Firing a bolt with a damaged nock can cause the bow to dry-fire.
- Never use pliers or other metal tools to pull bolts out of targets.
- Inspect bolts for damage. Damaged bolts can fly in unintended directions.
- Do not use bolts with flat, half-moon, slotted moon or universal nocks.
- Inspect string and cables before each use. Immediately replace worn, fraying, separated, or damaged string, cables or center serving.
- Do not fire your crossbow if the center serving is worn, damaged or separated.
- Damage to your AXE Crossbow caused by firing a damaged or unapproved bolt is not covered by the warranty. Your AXE Crossbow is specifically engineered to work with designs, dimensions, tolerances and materials of genuine AXE components and accessories. **USE OF NON-AXE COMPONENTS AND**

ACCESSORIES, INCLUDING NON-AXE BOLTS AND NOCKS OR NON-AXE STRING AND CABLES, MAY CAUSE THE SYSTEM TO NOT OPERATE AS DESIGNED, POTENTIALLY RESULTING IN AN UNSAFE CONDITION THAT COULD LEAD TO SERIOUS INJURY OR DEATH. AXE bolts with AXE nocks are specifically designed for use with the AXE strings and cables. **USE OF ANY BOLTS OR NOCKS NOT DESIGNED FOR USE WITH YOUR AXE CROSSBOW MAY NOT HAVE THE SAME DESIGNS, DIMENSIONS, TOLERANCES OR MATERIALS, WHICH COULD POTENTIALLY INTERFERE WITH THE OPERATION OF YOUR CROSSBOW, INCLUDING BUT NOT LIMITED TO THE ANTI-DRY-FIRE TRIGGER MECHANISM, AND LEAD TO SERIOUS INJURY OR DEATH.**

BOLTS/NOCKS/VANES

DO NOT USE NON-AXE BOLTS OR NOCKS IN AXE CROSSBOWS!

BOLT

Only use the 17" AXE Micro Bolt.

Non-AXE bolts are not designed to absorb the high energy generated by your AXE crossbow and will create a dry-fire condition that can damage the bow.

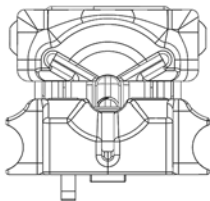
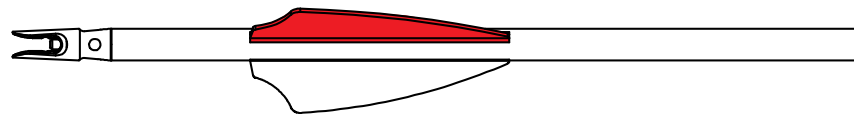
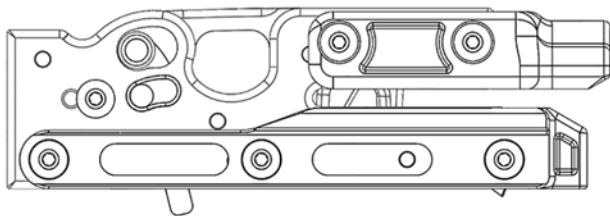
The user must visually inspect each bolt for damage before each use. Look for damage to the nock and vanes. Check for any splintering or cracking to the carbon shaft by flexing the bolt back and forth in your hand. Rotate and repeat this inspection process four to five times around the entire circumference of the shaft. If you find a bolt to be damaged in any way, discard it immediately. **FIRING A DAMAGED BOLT CAN CAUSE SERIOUS PERSONAL INJURY AND DAMAGE TO YOUR AXE CROSSBOW.**



NOCK

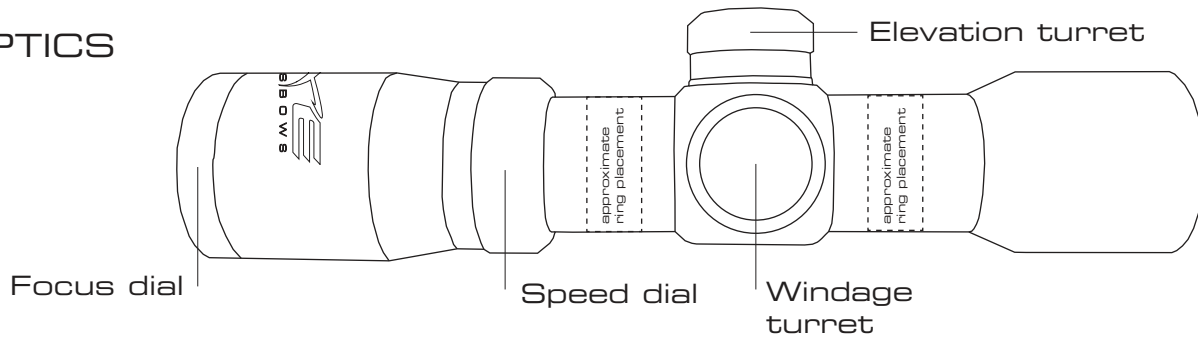
Only use AXE nocks with your AX405. AXE nocks are specifically designed to work with the DFI system housed in the trigger slide and are made of high strength aluminum or the AX Lit Nock made from stainless steel to adsorb the extreme energy generated by your bow.

The user must be sure the nock and white fletching are properly oriented (see below). The nock opening should be perpendicular to the white (cock) fletching. If the nock is not in the proper orientation, rotate the nock to the required position. Inspect the nock to insure there are no chips or cracks. If the nock is damaged, replace with an AXE aluminum or stainless steel Lit nock only.



The bolt funnel is a useful tool to help ensure proper loading every time.

OPTICS



MOUNTING

1. Attach the bottom rings on the rail so that the rings are in the approximate positions on the scope as shown, taking into account proper eye relief of approximately 2"- 3" from your eye to the eyepiece when holding your AXE Crossbow in a shooting position. Lightly tighten up the screws on the bottom rings so you can still adjust them on the rail.

2. Lay the scope into the bottom rings. Place the top rings on the bottom rings so the scope is surrounded. Lightly snug up the screws on the top rings so you can still freely move the scope in the rings.

3. Before tightening the rings, look through the scope in your normal shooting position. Adjust the scope until you find the furthest point forward to ensure maximum eye relief (at least 2 inches from your eye) that allows you to see a full field of view.

4. Place your AXE crossbow on a level surface. Lay a small level on the limbs to ensure the bow is level. Remove the elevation turret cap and place the level on the elevation turret. Rotate the scope in the rings until it is level with your AXE Crossbow limbs. The horizontal reticle markings should be parallel with your AXE crossbow limbs.

5. Tighten the upper rings, alternating between front and back screws, while still keeping an eye on your scope levels. Keep slightly tightening and alternating from front to back until secure. Over-tightening the mounting rings will damage the scope and void the warranty!

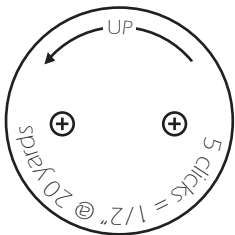
Torque wrench recommendations:

15 inch pounds for the upper half of the mounting rings.

35 inch pounds for the bottom half of the mounting rings.

6. Rotate the speed dial to match the advertised speed of your AXE crossbow.

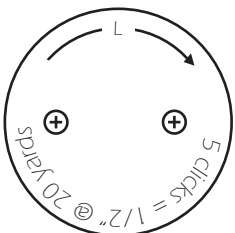
ADJUSTABLE TURRETS



Elevation

Rotate clockwise to lower point of impact.

Rotate counterclockwise to raise point of impact.



Windage

Rotate clockwise to move point of impact left.

Rotate counterclockwise to move point of impact right.

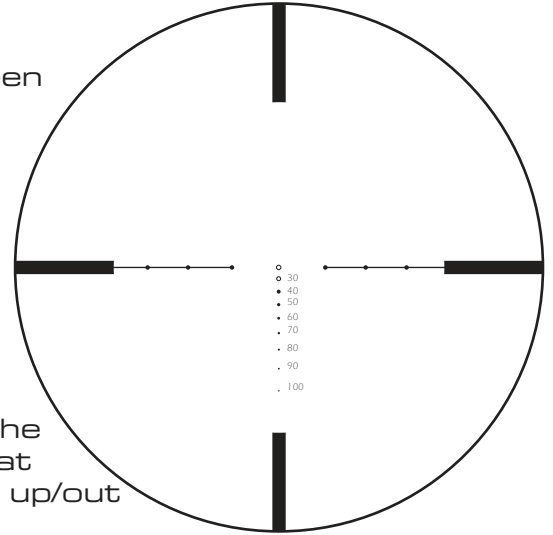
ILLUMINATED RETICLE

Your scope is equipped with a selectable red or green illuminated reticle. The illumination rheostat is located on the left side of the scope.

High brightness settings are recommended for daytime use when ambient light is bright. At times of low light such as dawn or dusk, a lower brightness setting is recommended. The lower settings may not be visible during bright daylight. Reticles are black in the "R" or "G" position if the battery is low or defective.

AXE illuminated scope models use a CR2032 coin style lithium battery. To insert a battery, unscrew the battery compartment cap on the top of the rheostat adjustment turret and insert a new battery "+" side up/out away from scope.

Warning: Always hold onto the lower half of the rheostat when loosening or tightening the battery compartment cap to ensure no damage is done.



COCKING

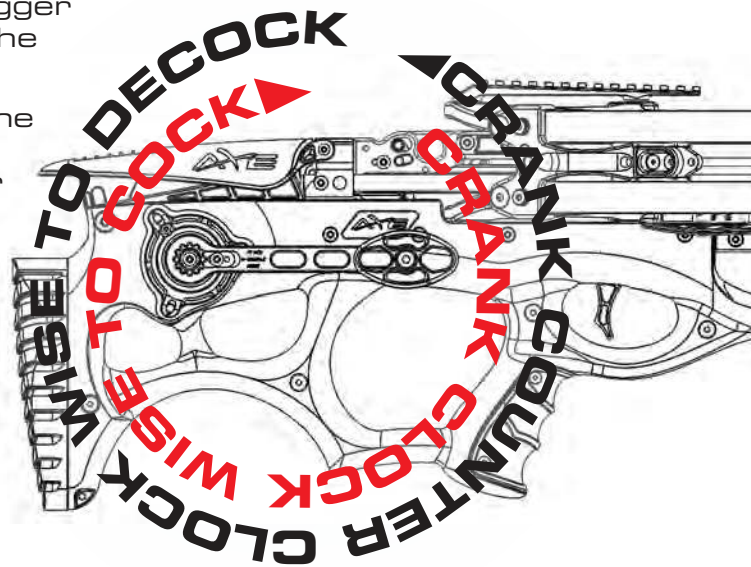
Starting in the uncocked position with the trigger box slide rolled up all the way to the rear of the crossbow

Turn the crank counterclockwise to release the trigger box. The trigger box will slide down to the string. The DFI will click when the trigger box contacts the string.

After the trigger box contacts the string, manually push the trigger box onto the string until the catch clicks and traps the string. You must hear and feel the latch catch the string. This will be a second click. (The safety must be in the fire position to make this work, and will automatically be moved to the fire position when the trigger box is slid down.)

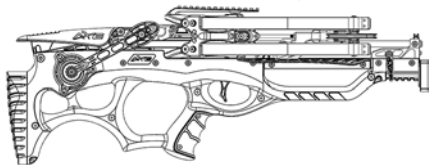
Turn the crank clockwise to begin drawing the string back.

(halfway through the draw the safety is automatically moved to the safe position.)



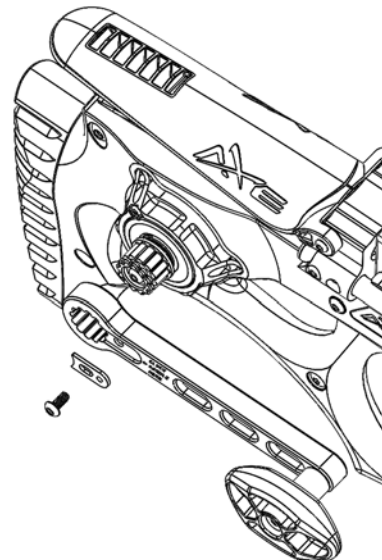
When the trigger box hits the back wall, **STOP CRANKING.** (The crank is designed to rest in the same position every time when fully cocked)

*If the crank handle doesn't lay parallel with the top of the stock or in the position you'd like, remove the set screw and seat plate to adjust handle position.



To uncock the crossbow, make sure trigger is in safe position and remove the bolt. After you remove the bolt, turn the crank counterclockwise.

*If uncocked without discharging the bolt, the trigger box will remain attached to the string until next use.



LOADING

Cock your AX405 as instructed in the cocking section of the manual.

The user must visually confirm the safety is in "SAFE" position. (Safety switch back, over green circle) If the safety is not engaged, manually push the safety into safe position.



Point the crossbow in a safe direction while loading and unloading.

NEVER PLACE YOUR HANDS/FINGERS IN THE BOWSTRING PATH!

Always keep your hands forward of the cams.

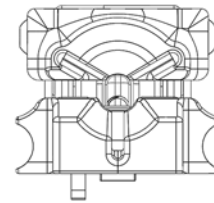
While loading and unloading, handle the AXE Micro bolt firmly at the tip end, just below the broadhead/field point.

NEVER PLACE YOUR HAND IN FRONT OF THE BOLT TIP. (see figure C)

Load the crossbow by keeping your hands in the safe loading area (beyond the path of the bowstring)

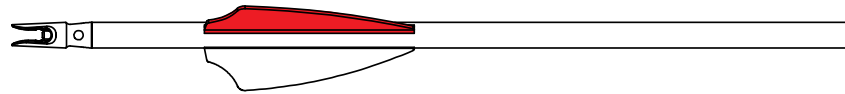
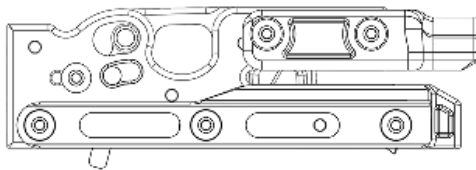
Never place your hands in the path of the bowstring while loading and unloading.

Position the bolt with the odd color vane down. With the crossbow pointed in a safe direction, insert the nock end on the AXE Micro bolt under the riser archway and into the center of the trigger slide.



The AX405 trigger slide has an integrated bolt funnel to ensure proper bolt alignment.

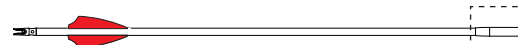
Once properly aligned within the bolt funnel, firmly seat the bolt in the trigger slide until the nock clips onto the bowstring. You should hear and feel a click. If the nock is not securely seated on the bowstring, your AX405 will not fire.



SAFE LOADING ZONE

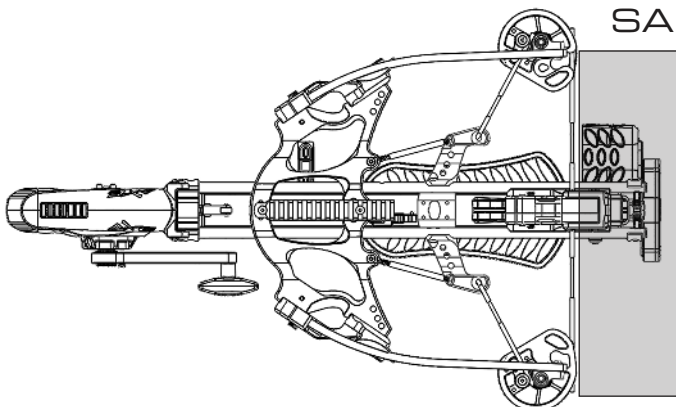
Always keep your hands forward of the cams.

Figure C.



BOLT HANDLING ZONE

Handle the bolt firmly by the outsert.



NEVER PLACE YOUR HAND IN THE BOWSTRING PATH

SHOOTING

The Four Common Factors

Prior to shooting the crossbow, practice holding the crossbow in order to learn the proper method to shoulder and hold the crossbow.

There are four factors that are common to all shooting positions that affect your ability to hold the crossbow steady, maintain sight alignment, and control the trigger. It is important to practice and become familiar with these common factors for each shooting position.

The directions on the following pages are provided for right handed persons in a standing shooting position but also apply to kneeling and to prone shooting positions. Since the crossbow can be shot by both right-handed and left-handed shooters, left handed shooters should reverse hand and shoulder directions as needed.

Placement of Left Hand

In all shooting positions, the left hand will be used to support the forward weight of the crossbow at the location of the fore arm grip. Grasp the bottom of the forearm grip with the palm of the left hand and curl the fingers and thumb around each side of the forearm grip. Ensure that the hand including the fingers and thumb always remain below the finger/thumb guard.

WARNING! MAKE SURE YOU KEEP ALL FINGERS BELOW THE GUARDS AT ALL TIMES AND OUT OF THE PATH OF THE BOWSTRING. FAILURE TO DO SO WILL RESULT IN SERIOUS INJURY OR DEATH.

Placement of Right Hand

In all shooting positions the right hand is used to grasp and firmly grip the pistol grip that is located immediately behind the trigger. The forefinger is used to pull the trigger while the thumb and remaining fingers are wrapped around the pistol grip. Relax your forefinger so it can be moved independently and placed naturally on the trigger. Never place your finger on the trigger unless you are ready to shoot. **WARNING! MAKE SURE YOU**

KEEP ALL FINGERS BELOW THE GUARDS AT ALL TIMES AND OUT OF THE PATH OF THE BOWSTRING. FAILURE TO DO SO WILL RESULT IN SERIOUS INJURY OR DEATH.

Butt Plate in the Pocket of the Shoulder

Raise the crossbow up and place the crossbow butt plate into the pocket formed in the right shoulder. Apply firm rearward pressure to the pistol grip in order to pull the crossbow butt plate into the pocket of your shoulder.

This helps steady the crossbow from slipping during firing.

The exact placement of the crossbow butt plate in the shoulder will change between shooting positions however consistent placement of the butt plate within each shooting position is essential to maintaining tight groups and accuracy.

Placement of Cheek

In all shooting positions, the right cheek placement against the top of the rear stock needs to be consistent from shot to shot. A firm contact between the cheek and the stock enables the head and crossbow to recoil as a single unit and keeps the eye centered in the rear sight opening of the scope. Find the correct distance to position the cheek on the stock so the eye gets a clear view through the scope to the target. Once this distance for a clear view through the scope is found, continue to rest the cheek on the stock at this exact position for all shots. Consistency of placement of your cheek on the stock will depend on the amount of rearward pressure applied by the right hand to the pistol grip.

SIGHTING IN

For best results, it is recommended that a shooting bench or shooting sticks are used to help stabilize the crossbow.

Sighting in your scope requires adjusting your point of aim to match your point of impact.

1. Choose a safe place to shoot your AXE Crossbow.
Place a crossbow rated target at 10 yards and set up for your first shot.
*Be sure to read all cocking and loading instructions before sighting in.
2. Before taking the first shot, rotate the speed dial to match the manufacturers advertised speed of your AXE Crossbow (405 fps)
3. Take a shot at the center of the target using the 20 yard aiming point on the reticle.
4. Remove the protective cap from the windage and elevation adjustment turrets to make suitable adjustments to bring the point of impact closer to the point of aim. For example, if the point of impact is lower than the point of aim, rotate the elevation adjustment dial counter clockwise. If the point of impact is higher than the point of aim, rotate the elevation adjustment dial clockwise. At 10 yards 5 clicks moves the point of impact 1/4th of an inch.
5. Once the point of impact is the same as the point of aim at 10 yards, repeat this process at 20 yards. At 20 yards 5 clicks moves the point of impact 1/2 of an inch.
6. Once the point of impact is the same as the point of aim at 20 yards, repeat this process at 40 yards using the 40 yard aiming point on the reticle. At 40 yards 5 click moves the point of impact 1 inch.
When you are happy with the 40 yard point of impact, replace the protective caps on the windage and elevation turrets.
You have now sighted in the scope to your AXE Crossbow.
*As with all weapons (rifles, bows and crossbows), after extended periods of storage, travel and use, it is wise to check the point of impact before attempting long range shots. To check the accuracy of your AXE Crossbow first take a shot at 10 yards and then 20 yards before attempting longer shots.

Calibrating speed dial

In order for the crossbow speed calibration to function properly, an AXE Micro bolt is required for this AXE Crossbow, equipped with a 100gr field point or broadhead. If a heavier broadhead or field point is used at any time you must repeat the zeroing in process of your scope.

1. Place a crossbow-rated target at 30 yards.
2. Take a shot at its center using the 30 yard aiming point on the reticle.
If the point of impact is higher than the point of aim, turn the speed dial to a slightly lower number. If the point of impact is lower than the point of aim, turn the speed dial to a slightly higher number.
3. Once the point of impact is the same as the point of aim at 30 yards, repeat at 40 yards.
4. Once the point of impact is the same as the point of aim at 40 yards, the scope is calibrated for your AXE Crossbow speed.
It is not necessary to adjust the speed dial for other distances. If the speed dial is changed you will need to recalibrate your AXE Crossbow using this process.

LIMITED MANUFACTURER'S WARRANTY

What is Covered:

Subject to the terms, conditions and limitations outlined below, the stock, trigger assembly, and limbs of your AXE crossbow (a subsidiary of FeraDyne Outdoors) are guaranteed against defects in materials and workmanship not caused by normal wear, misuse, or improper maintenance as determined by FeraDyne Outdoors.

How Long Coverage Lasts:

This limited warranty lasts for 5 years from the purchase date; proof of purchase is required prior to sending your crossbow back to FeraDyne Outdoors. Without a sales receipt, the manufacturing date will be used to determine whether a crossbow is still under warranty. If the serial number or manufacture date have been removed or are illegible, the warranty is void.

Who is Covered:

This warranty only covers AXE crossbows for the original owner. It is not assignable or transferable to anyone else.

What is Not Covered:

Parts not covered by this warranty include, but are not limited to, string, cables, flight rails, trigger slide box, cosmetic blemishes to parts or finishes, and normal wear and tear. These parts are subject to a variety of conditions in normal use and considered to be consumable parts. The string and cables must be replaced at least every 2 years assuming normal wear and tear.

This Warranty is Void if Any of The Following Occur:

- The instructions in the owner's manual are not followed.
- The crossbow or any other parts/accessories are damaged or modified from their original position.
- Damage is caused by abuse or neglect.
- Damage is caused by dry-firing.
- Damage is caused by using non-recommended bolts
- The crossbow is rented or loaned for use by retailer, wholesaler, shooting range, or other commercial business organization, whether or not a fee is charged.
- Any user has attempted to alter, dismantle or change the standard specifications of the crossbow, other than as stated in the owners manual.
- Failure or damage was caused by improper calibration or by abnormal use.
- The crossbow has not been maintained properly, including an annual inspection by a qualified crossbow dealer as directed by the owners manual.
- The crossbow has been used for any purpose other than hunting or target shooting.
- The crossbow is used in situations that might create potential injuries to life, health, or public safety.

What Will FeraDyne Outdoors Do:

FeraDyne Outdoors offers the exclusive remedy of repair on any crossbow that it reasonably determines to be defective in materials or workmanship. FeraDyne Outdoors reserves the right to determine whether an item is covered by the manufacturer's warranty upon receiving the product back for inspection. If a product is determined to be defective, it will be repaired with available parts at the sole discretion of the AXE repair department. If repair is not possible, the product will be exchanged or replaced with the same product; if the same product is no longer available, it will be replaced with the most similar product available at the discretion of FeraDyne Outdoors.

How to Get Service:

To be eligible for service under this limited warranty, you **MUST** complete the online warranty registration within 30 days of purchasing your crossbow. This limited warranty becomes effective only if you complete the warranty registration within 30 days of purchasing your crossbow. By submitting the warranty registration, you expressly agree to all of the terms and conditions contained in this limited warranty policy. If you believe you have purchased or received a defective product, a Return Merchandise Authorization (RMA) number must be obtained by submitting a warranty claim at feradyneoutdoors.returnsportal.net. All AXE crossbow warranty claims require a photo; claims submitted without photos will be rejected and you will be asked to resubmit a claim and include a photo.

All accessory items must be removed from the crossbow prior to sending it back to FeraDyne Outdoors for repair. FeraDyne Outdoors is not responsible for damage or loss of any accessory item left on the crossbow. Items sent back without an RMA number will be refused and returned to the sender. You will pay shipping costs to return the crossbow to FeraDyne Outdoors. If after examining a returned crossbow FeraDyne Outdoors determines that the product is not subject to this limited warranty, you will be notified and the product will be shipped back to you at FeraDyne Outdoors' expense. There is no charge for inspection. Product repairs that are not covered by this limited warranty, or any product updates if desired, can be provided at then-current repair rates set by FeraDyne Outdoors.

**DO NOT RETURN YOUR PRODUCT TO A RETAIL STORE OR ONLINE SELLER UNLESS DIRECTED TO DO SO BY FERADYNE OUTDOORS;
CONTACT FERADYNE OUTDOORS CUSTOMER SERVICE AT:
feradyne.com/contact/**

FeraDyne Outdoors will not be liable for any loss or damage to a crossbow once it has been repaired and shipped out of our facility.

How State Law Applies:

This limited warranty gives you specific legal rights. You may also have other legal rights that vary from state to state. This warranty is governed by the laws of the state of Wisconsin, USA.

Limitation of Warranty Liabilities:

Your sole and exclusive remedy pursuant to this limited warranty is the repair or replacement of defective parts or workmanship. In no event shall FeraDyne Outdoors, its licensors, distributors, and suppliers be liable for any direct, indirect, incidental, special, exemplary, or consequential damages, expenses, lost profits, lost savings, business interruption, lost business information, property damage, personal injuries (including death), emotional distress, pain and suffering, or any other damage arising out of the use or inability to use the product, even if FeraDyne Outdoors, its licensors, distributors, or suppliers were advised of the possibility of such damages. You acknowledge that the purchase price paid for the product reflects this allocation of risk and exclusion of damages. Some states do not allow the exclusion or limitation of incidental or consequential damages, so the above limitation may not apply to you. If the limitation of liability is not applicable, in no event shall FeraDyne Outdoors' liability for property damage exceed the greater of \$50,000 or the price paid for the product that caused such damage.

Warranty Limitations Period:

All warranties implied by law shall be limited to the lesser of 2 years from the date of original purchase or the limitation period applicable in the state in which damage occurred, whichever period is shorter. Some states do not allow limitations on how long an implied warranty lasts, so the above limitation may not apply to you. Any action against FeraDyne Outdoors based on an alleged breach of warranty must be filed in court within 1 year of the claimed breach.

Entire Obligation:

This document states the entire obligation of FeraDyne Outdoors with respect to the product. If any part of this limited warranty (including the warranty disclaimers and limitations of FeraDyne Outdoors' liability) is determined to be void, unenforceable or illegal, the invalid or unenforceable provision shall be deemed to be superseded by a valid, enforceable provision that most closely matches the intent of the original provision, and the remainder of the agreement shall remain in full force and effect. FeraDyne Outdoors makes no other warranty beyond the terms of this limited warranty. No agent, employee or salesman of FeraDyne Outdoors, its licensors, distributors, or suppliers, nor any person employed by the retail dealer or seller from whom you purchased this product, is authorized to modify, extend, or waive the terms of this limited warranty. Any statements, representations, or promises made by anyone else at any time are unenforceable against FeraDyne Outdoors.

PRIOR TO USE, PLEASE READ AND FOLLOW ALL SAFETY INFORMATION AND INSTRUCTIONS INCLUDED WITH YOUR PRODUCT. FAILURE TO DO SO MAY CAUSE SERIOUS INJURY OR DAMAGE TO YOU OR YOUR CROSSBOW.

Register online at www.feradyne.com/axe-crossbow-registrations or mail in this form to FeraDyne Outdoors at below address.

For warranty service, contact Customer Service at feradyneoutdoors.returnsportal.net

Except as provided in this limited warranty AXE hunting products are provided "as is".

Send to:
Feradyne Outdoors
1230 Poplar Ave
Superior, WI 54880

Please print

Product model #/name

Date of purchase

Where purchased

Address (street, city, state, zip)

Purchaser's name

Purchaser's address (street, city, state, zip)

Serial numbers	Riser #	Trigger slide box #
----------------	---------	---------------------

Purchaser's phone number

Purchaser's email address

By signing and returning this warranty registration card, the user hereby acknowledges that he or she has read and understands the warranty information in the instructions. The user accepts said warranties and the limitations thereon, as listed. User's signature on the warranty registration card also acknowledges that the user has read and understands the instructions and safety warnings in the manual and that the user recognizes their importance.

Signature: _____

Date: _____



PERFORMANCE. OPTIMIZED.

405

MANUEL DE L'UTILISATEUR



PATENTS: www.feradyne.com/patents
WARRANTY: www.feradyne.com/warranties



AVERTISSEMENT! Vous devez impérativement lire et respecter tous les avertissements de sécurité et les consignes présentés dans ce manuel.

Conservez les consignes et les avertissements de sécurité pour pouvoir les consulter ultérieurement, en cas de besoin.

TABLE DES MATIÈRES	N° de page
INTRODUCTION	1
CONSIGNES DE SÉCURITÉ	1-5
APPLICABLES À L'ARBALÈTE	
PRÉSENTATION DU.....	6
MODÈLE AX405	
DISPOSITIFS RÉGLABLES	7
COULISSE DE DÉTENTE	8
FLÈCHES/ENCOCHES/PENNES	8-9
OPTIQUE	10-11
ARMER ET DÉSARMER	11
L'ARBALÈTE	
CHARGER ET DÉCHARGER.....	12
L'ARBALÈTE	
SÉQUENCE DE TIR	13
ZÉROTAGE	14
GARANTIE.....	15-18

INTRODUCTION

Merci d'avoir acheté notre nouvelle arbalète AXE®! Si vous prenez bien soin et que vous entretenez adéquatement votre arbalète AXE®, elle vous offrira des années d'utilisation sans défaillance. Cette arbalète a été conçue, fabriquée et mise à l'essai de manière à garantir toutes les conditions de sécurité et de performance lorsqu'elle est utilisée dans le respect des consignes fournies. Avant de commencer le montage ou des activités de tir, veuillez à bien lire et à bien comprendre toutes les informations contenues dans ce manuel. **Si vous ne maîtrisez pas bien ou ne comprenez pas bien le fonctionnement de votre arbalète, vous risquez de l'endommager et de vous blesser, ou de blesser d'autres personnes.** Si des sections du manuel ne sont pas claires, communiquez avec un représentant du service à la clientèle en visitant le site feradyne.com/contact. Après avoir lu et compris le contenu du présent document, gardez-le afin de pouvoir vous y référer ultérieurement. Relisez le manuel régulièrement et au moins une fois par an. N'hésitez pas à donner une copie du manuel aux autres utilisateurs de l'arbalète et insistez pour que ces personnes lisent le manuel dans son intégralité avant d'utiliser l'arme.

CONSIGNES DE SÉCURITÉ APPLICABLES À L'ARBALÈTE

Les arbalètes sont des armes conçues pour lancer des projectiles à grande vitesse. Des viretons errants ou mal lancés peuvent blesser ou tuer des personnes. Il est recommandé de manipuler les arbalètes avec le même soin et en appliquant les mêmes mesures de sécurité que celles applicables aux armes à feu. L'usage d'une arbalète requiert des connaissances approfondies et doit être encadré par des mesures de précaution si l'on veut éviter de blesser des personnes et détériorer des biens. Les arbalètes ne devraient être utilisées que par des personnes qui ont suivi une formation adéquate sur la sécurité ou sous la supervision d'un instructeur qualifié. Du fait de la conception de l'arbalète, la corde d'arc peut causer des blessures importantes si elle rentre en contact avec une partie du corps pendant le déclenchement. **Pour éviter toute blessure grave, il est impératif que les utilisateurs gardent toutes les parties du corps à l'écart de la trajectoire de la corde d'arc, en tout temps.** Il est important de maintenir la main avant, les doigts et le pouce sur le garde-main, au-dessous de la trajectoire de la corde d'arc et des câbles. Il est conseillé de porter des lunettes de sécurité lorsqu'on manipule une arbalète et des équipements de tir à l'arc. Veuillez lire, comprendre et respecter toutes les consignes de montage, les avertissements et tout autre renseignement fourni avec les lots d'arbalètes, de viretons, de pièces de quincaillerie et d'accessoires.

NE PAS COMPRENDRE ET NÉGLIGER DE SUIVRE TOUTES LES INSTRUCTIONS ET TOUS LES AVERTISSEMENTS RISQUE D'ENTRAÎNER DE GRAVES BLESSURES OU LA MORT, TANT POUR VOUS QUE D'AUTRES PERSONNES.

AVERTISSEMENT IMPORTANT

Du fait de la conception de l'arbalète, la corde d'arc se détend le long de la crosse d'arbalète à haute vitesse. La corde d'arc est un dispositif à énergie cinétique élevée qui se déplace avec une telle force qu'il peut causer de graves blessures s'il entre en contact avec une partie du corps pendant le tir. Pour éviter de graves blessures, les utilisateurs doivent impérativement garder en tout temps toutes les parties du corps à l'écart de la trajectoire de la corde d'arc et des câbles! Le fait de placer ses mains, ses doigts, ses pouces ou toute autre partie du corps dans la trajectoire de la corde d'arc ou des câbles peut provoquer de graves blessures y compris une amputation.

CONSIGNES DE SÉCURITÉ APPLICABLES À L'ARBALÈTE

Il ne faut en aucun cas placer des parties du corps dans la trajectoire de détente de la corde d'arc et des câbles. Lors du tir, les utilisateurs doivent maintenir leur main avant, leurs doigts et leur pouce sur le garde-main de la crosse, au-dessous de la trajectoire de détente de la corde d'arc et des câbles.

Avant de tirer des flèches, les utilisateurs doivent lire les instructions fournies et regarder les vidéos présentées sur le site www.safearrow.com afin d'apprendre à utiliser en toute sécurité les viretons et le matériel, et de pouvoir à leur tour enseigner aux autres les techniques de chasse sécuritaires. Avant d'utiliser l'arbalète, vous devez TOUJOURS fléchir les flèches selon un mouvement en arc progressif et les inspecter visuellement pour déceler toute trace de décollement, de fissuration ou d'impact ou tout autre dommage.



Contrôle de la flexion de la flèche

Une hampe endommagée pourrait se briser complètement lors du tir et blesser le tireur ou d'autres personnes; une flèche endommagée ne doit jamais être chargée ni utilisée.

Ne tirez jamais une flèche endommagée. Après avoir chargé l'arbalète, il ne faut pas pointer l'arme vers soi ou vers d'autres personnes afin d'éviter toute conséquence catastrophique liée à un tir accidentel ou intempesitif. L'utilisateur ne doit pas tirer à moins que la cible soit visible et qu'il sache ce qui se trouve derrière la zone ciblée.

Il ne faut en aucun cas tirer sur une cible non identifiée. Les cibles doivent être spécialement conçues pour être utilisées avec une arbalète. Les cibles non prévues pour le tir à l'arbalète ou les cibles comportant des bordures rigides, des pièces en plastique ou en métal peuvent provoquer des ricochets et endommager les flèches, en plus de causer de graves blessures ou des blessures mortelles. Il est important de savoir s'il y a d'autres personnes dans la zone de tir. Avant d'effectuer un tir avec son arbalète, l'utilisateur doit s'assurer que toutes les autres personnes se trouvent derrière lui, dans le sens opposé à la cible visée.

Il est également important de bien connaître la procédure et la séquence de tir. Toute manipulation imprudente de l'arbalète et des flèches et toute distraction peuvent causer de graves blessures à l'utilisateur et aux autres. N'oubliez pas que la sécurité doit faire partie de vos procédures et de votre comportement, du début jusqu'à la fin du tir. Soyez responsable, appliquez des techniques de tir sécuritaires et utilisez des pratiques sécuritaires pour assurer votre sécurité et celle des autres.

MESURES DE SÉCURITÉ GÉNÉRALES

Traitez toujours votre arbalète avec le respect dû à toute arme de tir. Partez toujours du principe que l'arbalète est armée. Toute négligence peut être dangereuse, voire fatale.

Pointez toujours l'arbalète vers un endroit sécuritaire.

Identifiez toujours votre cible et ce qui se trouve derrière. Ne tirez jamais sur une cible à l'horizon si vous ne savez pas ce qu'il y a de l'autre côté.

Avant chaque séance de tir, inspectez les équipements de votre arbalète pour déceler toute pièce usée, desserrée, endommagée ou manquante. Remplacez toute pièce usée, perdue ou endommagée.

Inspectez les câbles et la corde de l'arc pour déceler toute trace éventuelle d'effilochage ou de torons brisés. Remplacez toute pièce manquante, perdue ou endommagée constatée ou suspectée de l'être. N'utilisez pas l'arbalète s'il manque des pièces ou si des pièces sont endommagées. Utilisez uniquement des pièces de rechange AXE d'origine. Pour toute question, visitez le site feradyne.com/contact.

Maintenez vos doigts et tout autre objet à l'écart de la détente et du pontet jusqu'à ce que vous soyez prêt à tirer.

N'actionnez pas l'arbalète si la section de corde d'arc dans laquelle l'encoche de flèche vient s'engager est effilochée ou manquante (il s'agit de la section centrale de la corde d'arc qui comporte le tranche-fil enroulé dessus).

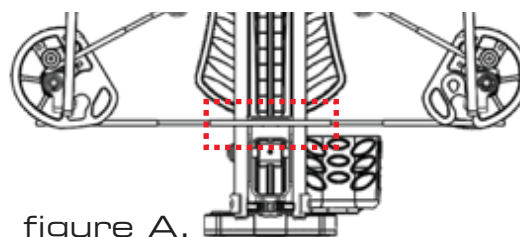


figure A.

Ne transportez pas une arbalète armée ou chargée. Utilisez toujours un étui à arbalète spécialement conçu pour transporter votre arbalète et la protéger ainsi contre tout dommage.

Ne tirez jamais votre arbalète à vide. Le fait de tirer sans flèche détériore l'arbalète et peut causer de graves blessures corporelles. En cas de tir à vide, il convient de faire inspecter l'arc par un fournisseur agréé ou par AXE avant de l'armer à nouveau ou d'effectuer un tir.

Pour réduire les risques de tir à vide, assurez-vous toujours que la flèche d'arbalète est bien en appui dans la position la plus en arrière.

Les arbalètes sont conçues pour lancer des flèches spéciales qui sont généralement plus lourdes que les flèches d'un arc. Il ne faut jamais utiliser des flèches ordinaires avec une arbalète.

Avertissement : Le fait de ne pas régler l'encoche de flèche correctement peut provoquer un tir à vide et/ou blesser l'utilisateur ou d'autres personnes. Tirez toujours des flèches ayant le poids, la longueur et le type d'encoche recommandés pour votre modèle d'arbalète spécifique.

Le fait de ne pas utiliser le type de flèche approprié peut provoquer des blessures graves voire mortelles.

N'essayez jamais de tirer un projectile autre que les flèches spécialement conçues pour être utilisées avec votre modèle d'arbalète spécifique.

Il ne faut en aucun cas placer des parties du corps dans la trajectoire de détente de la corde d'arc et des câbles. Lors du tir, les utilisateurs doivent maintenir leur main avant, leurs doigts et leur pouce sur le garde-main de la crosse, au-dessous du protège-doigt/pouce et à l'écart de la trajectoire de détente de la corde d'arc et des câbles.

Au moment de tirer, l'utilisateur doit maintenir les branches de l'arbalète à l'écart des obstacles tels que des branches d'arbre ou des supports de tir.

Ne prêtez jamais cette arme à d'autres personnes à moins qu'elles aient lu et parfaitement compris toutes les consignes d'utilisation et les avertissements applicables, et qu'elles aient visité le site www.safearrow.com.

N'utilisez pas l'arbalète si vous êtes sous l'emprise de l'alcool ou de médicaments vendus avec ou sans ordonnance.

Si vous devez chasser à partir de sites en hauteur, veillez à utiliser un système antichute certifié pour répondre à ou dépasser toutes les normes industrielles applicables répertoriées par la TMA (Treestand Manufacturer's Association) et mis à l'essai et homologué par un laboratoire indépendant.

Votre arbalète a été conçue pour la chasse et le tir sur cibles uniquement. Ne l'utilisez pas à d'autres fins.

Ne laissez pas votre arbalète armée pendant des périodes de temps prolongées ou toute une nuit.

Remplacez les cordes et les câbles tous les 2 ans ou avant si vous constatez des signes évidents d'effilochage ou des torons brisés.

Lorsque vous vous entraînez au tir, portez une protection oculaire et assurez-vous que le champ de tir se trouve dans un endroit spacieux exempt de bâtisses, et que votre cible a été conçue pour être utilisée avec une arbalète. Les cibles en forme de sac sont des cibles idéales pour tirer des flèches d'entraînement à embout. Les cibles en mousse haute densité sont, quant à elles, particulièrement adaptées lors d'un entraînement avec des pointes de chasse.

PRENEZ SOIN DE VOTRE ÉQUIPEMENT

Il est primordial d'utiliser des équipements adaptés au gibier que vous souhaitez chasser. Un chasseur à l'arbalète expérimenté et bien préparé peut résoudre facilement de nombreux problèmes sur le terrain..

Assurez-vous que votre arbalète est bien adaptée à votre besoin et qu'elle satisfait aux exigences réglementaires et éthiques applicables au gibier que vous prévoyez chasser. Toutes les provinces n'autorisent pas l'utilisation d'arbalètes pour la chasse. Certaines provinces limitent l'utilisation des arbalètes. Avant de chasser, assurez-vous de bien connaître les règlements en vigueur dans l'espace géographique où vous prévoyez chasser.

Assurez-vous que l'arbalète est en bon état de fonctionnement en suivant les consignes énoncées dans le présent manuel. Avant chaque sortie, prenez l'habitude d'effectuer une inspection préalable à l'utilisation de votre équipement.

Achetez des flèches conçues pour votre arbalète. Si vous choisissez des flèches qui ne sont pas parfaitement adaptées à l'arbalète, vous risquez de perdre en précision, d'endommager votre équipement ou de vous blesser gravement ou mortellement.

Les flèches doivent être parfaitement adaptées à l'usage (allonge et puissance) et qu'elles ont été convenablement inspectées dans le respect des consignes présentées sur le site www.safearrow.com avant d'utiliser votre arbalète.

Préparez votre arbalète en fonction de l'équipement (pointes de chasse par exemple) que vous utiliserez pour la chasse.

Maintenez votre arbalète sèche, propre et bien lubrifiée. Prenez l'habitude de nettoyer et d'entretenir votre arbalète après chaque utilisation.

RESPECTEZ VOS COMPAGNONS DE CHASSE

La chasse à l'arbalète est une formidable expérience à partager avec des amis et des compagnons de chasse. Il est essentiel de respecter quatre règles principales si l'on veut préserver les liens d'amitié lors d'une partie de chasse.

Valeurs communes : Les compagnons de chasse à l'arbalète doivent respecter la faune, entretenir de bonnes relations avec le propriétaire du terrain et appliquer les règles de chasse et d'autres aspects importants. Si vos compagnons de chasse ne partagent pas votre respect pour la chasse à l'arbalète, il serait sage de choisir d'autres partenaires de chasse.

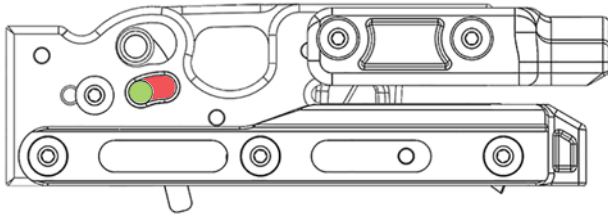
Fiabilité : Les compagnons de chasse doivent pouvoir se fier les uns aux autres et avoir une confiance mutuelle. Il est important de bien s'entendre sur l'heure fixée pour commencer la chasse, l'heure fixée pour arrêter la chasse et les zones de chasse attribuée à chaque chasseur.

Politesse : Soyez prévenant et attentif aux autres. Évitez d'errer autour des zones de chasse et d'empiéter sur les zones de vos compagnons.

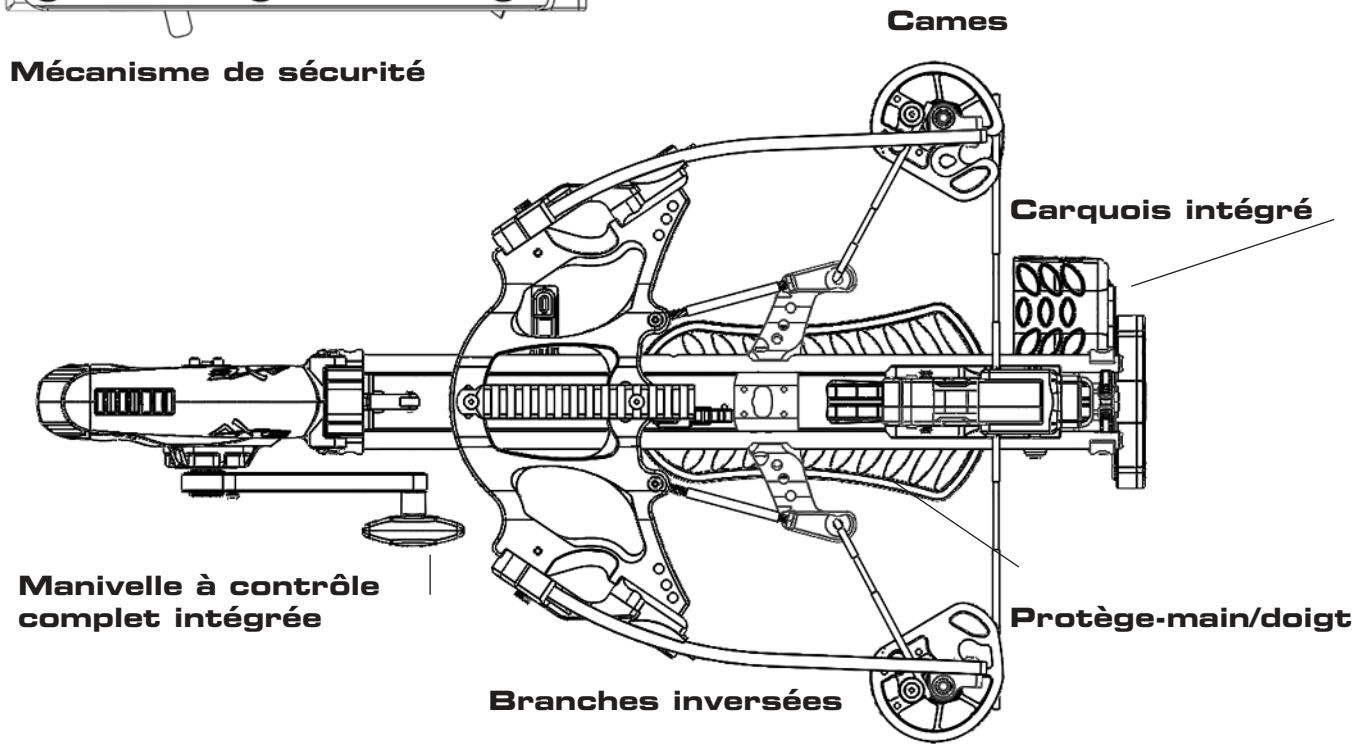
Communication : Discutez bien de tous les aspects importants de la chasse. Le fait de bien communiquer avec vos compagnons devrait éliminer la plupart des malentendus.

AX405 Overview

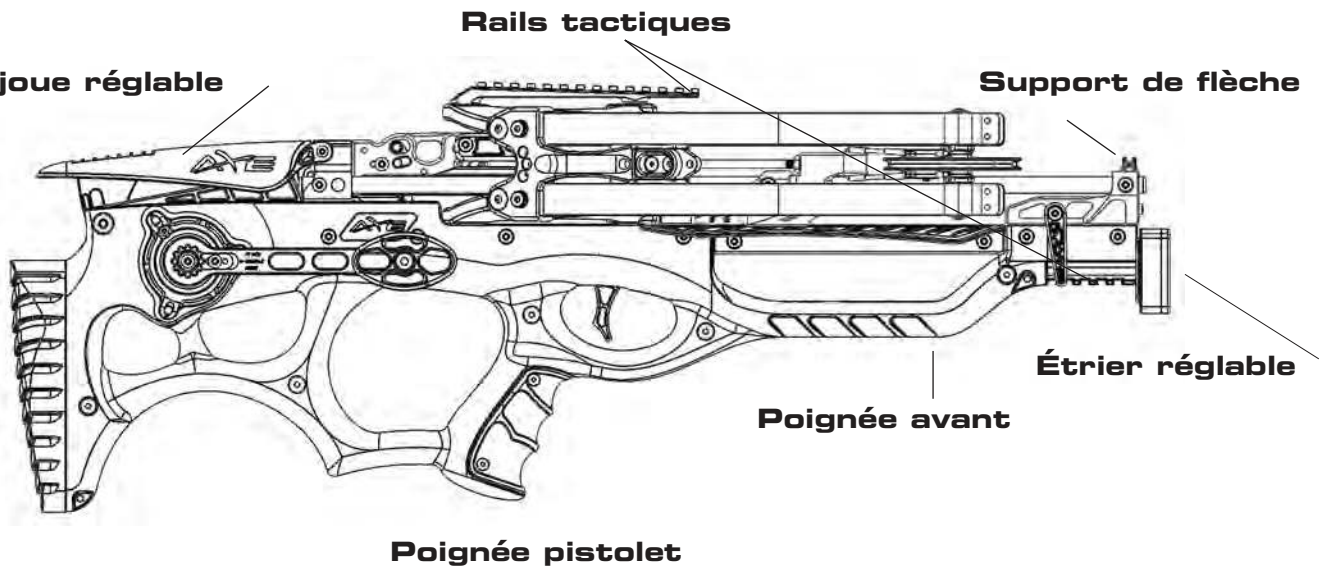
Coulisse de détente



Mécanisme de sécurité



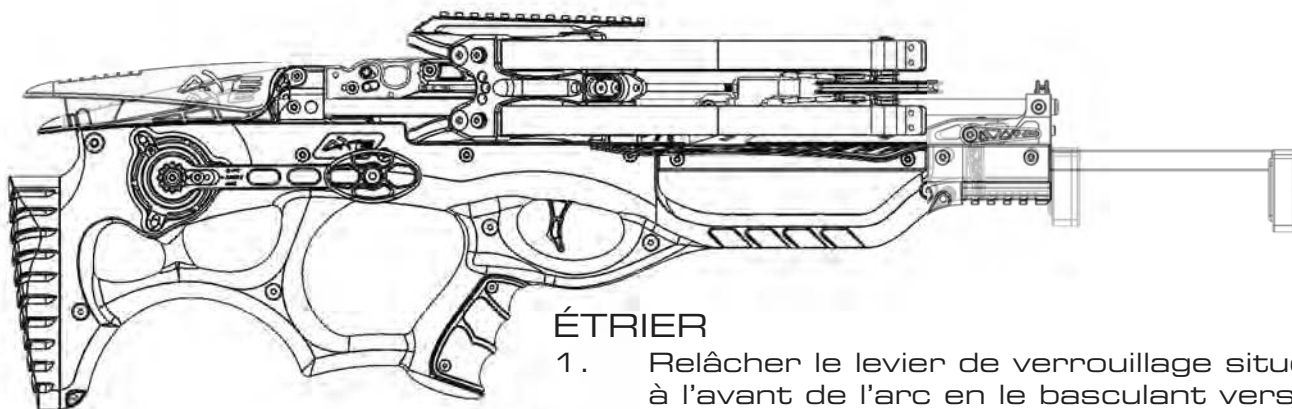
Appui-joue réglable



DISPOSITIFS RÉGLABLES

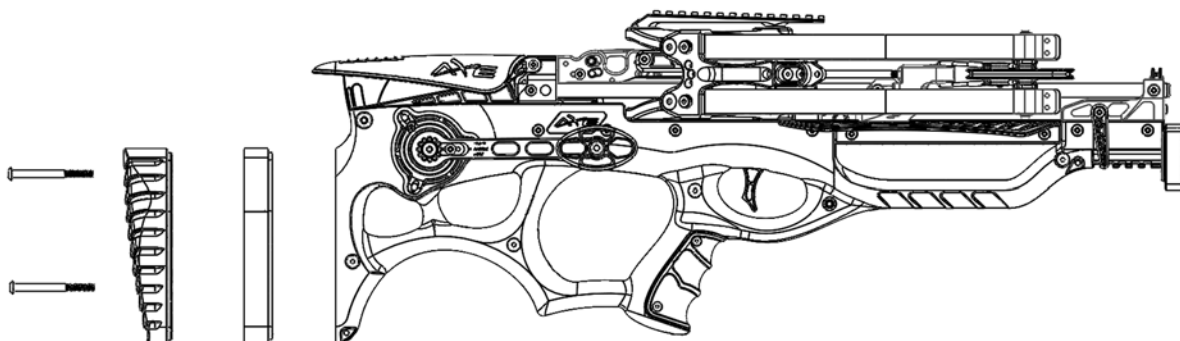
APPUIE-JOUE

1. Desserrez la vis située dans la fente de l'appuie-joue.
2. Réglez manuellement l'appuie-joue à la hauteur voulue.
3. Serrez la vis pour bloquer l'appuie-joue en position.



ÉTRIER

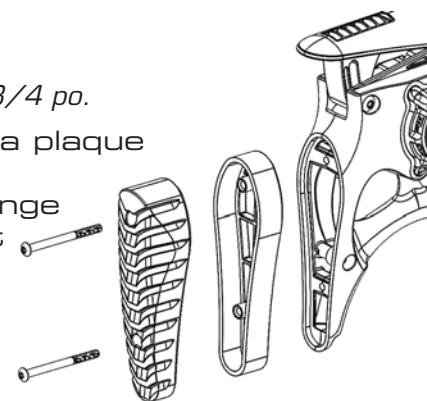
1. Relâcher le levier de verrouillage situé à l'avant de l'arc en le basculant vers le haut et vers l'avant, parallèlement à l'arc.
2. Sortez l'étrier à la longueur voulue.
3. Verrouillez le levier en le basculant vers l'arrière et le bas, perpendiculairement à l'arc.



PLAQUE DE COUCHE DE CROSSE

Le modèle AX405 est livré avec deux pièces de rallonge de plaque de couche de 3/4 po.

1. Retirez les deux vis situées dans la section arrière de la plaque de couche.
2. Insérez la ou les pièces de rallonge. Les pièces de rallonge sont conçues pour se loger dans la crosse en insérant la face à rebord plus petite dans la partie ajourée plus grande.
3. Insérez et serrez les vis.

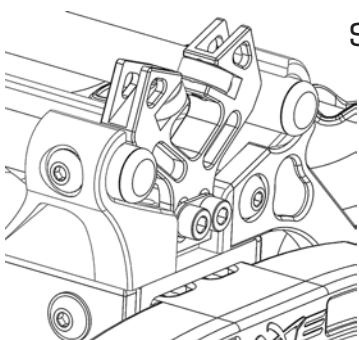


SUPPORT DE FLÈCHE

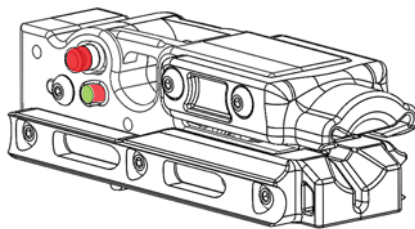
Le modèle AX405 comporte un support de flèche réglable. Le support de flèche est réglé en usine, mais si vous avez besoin de le régler à nouveau...

1. Desserrez les deux vis hexagonales situées à la base du coulisseau.
2. Abaissez complètement le support.
3. Relevez lentement le support jusqu'à ce qu'il n'y ait plus de longue déchirure lors du réglage sur papier.

*Si vous ne connaissez pas cette procédure, n'essayez pas de régler l'arbalète. Faites régler votre arbalète par un technicien qualifié.

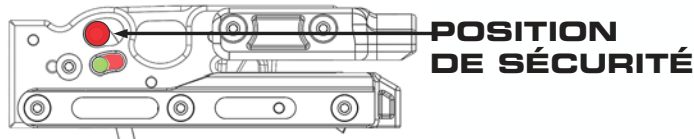


COULISSE DE DÉTENTE

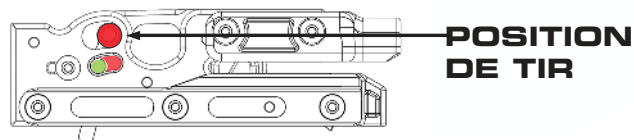


La coulisse de détente AXE est un mécanisme perfectionné conçu pour optimiser les performances et la précision d'une arbalète tout en garantissant la sécurité de l'utilisateur.

La détente est dans la position de **SÉCURITÉ** lorsque le bouton de sécurité est enfoncé vers l'arrière, dans le cercle vert.



La détente est dans la position de **TIR** lorsque le bouton de sécurité est poussé vers l'avant, dans le cercle rouge.



The trigger slide box automatically engages the safety while drawing back the string. (the safety will not auto engage if the trigger slide box is not clipped in and drawing the string)

La coulisse de détente AXE contient le système de protection contre le tir à vide. Ce système est automatiquement activé lorsque la coulisse de détente est engagée avec le câble. Le mécanisme de protection contre le tir à vide ne se désengage que lorsqu'un micro-vireton AXE est complètement inséré dans le mécanisme de détente et que l'encoche lumineuse en aluminium ou en acier inoxydable AXE est pincée dans la corde d'arc. Les encoches plates, en demi-lune, en lune fendue ou universelles ne déclenchent pas le mécanisme de protection contre le tir à vide et doivent pas être utilisées.

La coulisse de détente AXE contient un entonnoir de chargement intégré (figure B.). Cette pièce sert de guide de chargement et assure un chargement approprié à tous les coups.

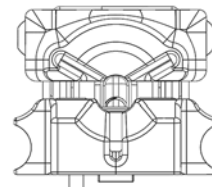


figure B.

FLÈCHES/ENCOCHES/PENNES

Afin de réduire au minimum les risques de blessures graves :

- Utilisez uniquement des flèches AXE munies d'encoches lumineuses en aluminium ou en acier inoxydable AXE avec des arbalètes AXE.
- N'utilisez pas des flèches AXE avec d'autres arbalètes.
- Assurez-vous que l'encoche est convenablement alignée avec l'empenne.
- Engagez à fond l'encoche AXE dans la corde d'arc. Cette action nécessite un peu de force. Vous devriez entendre et ressentir le « clic » émis par l'encoche qui s'insère sur la corde d'arc.
- Utilisez uniquement des pointes de chasse mécaniques conçues pour les arbalètes.
- Inspectez les encoches et les hampes de flèche en carbone afin de détecter toute cassure ou fissure capillaire éventuelle. Le fait de tirer une flèche endommagée peut briser la hampe et projeter des fragments. Le fait de tirer une flèche munie d'une encoche endommagée peut provoquer un tir à vide.
- N'utilisez jamais de pinces ou d'autres outils métalliques pour retirer une flèche d'une cible.
- Inspectez les flèches à la recherche de dommages éventuels. Les flèches endommagées risquent de voler dans des directions inattendues.
- N'utilisez pas de flèches munies d'encoche plate, en demi-lune, en lune fendue ou universelle.
- Inspectez les cordes et les câbles avant chaque utilisation. Remplacez immédiatement les cordes, les câbles et le tranche-fil central s'ils sont usés, effilochés, séparés ou endommagés. N'utilisez pas votre arbalète si le tranche-fil est usé, endommagé ou séparé.
- Tout dommage à votre arbalète AXE causé par le tir d'une flèche endommagée ou non homologuée n'est pas couvert par la garantie. Votre arbalète AXE a été spécialement conçue en tenant compte de concepts, de dimensions, de tolérances et de matériaux propres aux composants et accessoires AXE d'origine. L'utilisation de composants et accessoires appartenant à une marque autre que la marque AXE, y compris les flèches, les encoches, les cordes et les câbles, peut nuire au bon fonctionnement de l'arbalète et créer une situation potentiellement dangereuse éventuellement accompagnée de blessures graves ou mortelles. Les flèches AXE dotées d'encoches AXE ont été spécialement conçues pour être utilisées avec les cordes et les câbles AXE. Le concept, les dimensions, les tolérances et les matériaux des flèches et des encoches qui ne sont pas adaptées à votre arbalète AXE peuvent compromettre le fonctionnement de votre arbalète, y compris le mécanisme de protection contre les tirs à vide, et causer des blessures graves, voire mortelles.

FLÈCHES/ENCOCHES/PENNES

N'UTILISEZ PAS DE FLÈCHES ET D'ENCOCHES NE PORTANT PAS LA MARQUE « AXE »!

FLÈCHES

Utilisez uniquement les flèches de type Micro Bolt AX 17 po. Les flèches ne portant pas la marque AXE ne sont pas conçues pour absorber l'énergie cinétique élevée générée par votre arbalète AXE, et elles risquent de provoquer un tir à vide pouvant endommager l'arc.

L'utilisateur doit inspecter visuellement chaque flèche à la recherche de dommages éventuels avant chaque utilisation. Vérifiez l'état de l'encoche et des pennes. Assurez-vous que la hampe en carbone n'est pas fendue ni fissurée en imprimant un mouvement de flexion à la flèche avec vos mains. Faites pivoter la flèche et répétez ce type d'inspection entre quatre et cinq fois sur toute la circonférence de la hampe. Si vous constatez qu'une flèche est endommagée, de quelque manière que ce soit, mettez-la au rebut immédiatement.

Le fait de tirer une flèche endommagée peut causer de graves blessures et endommager votre arbalète AXE.



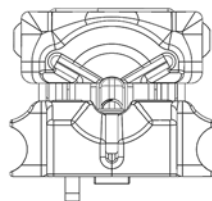
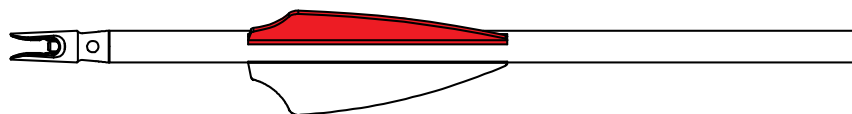
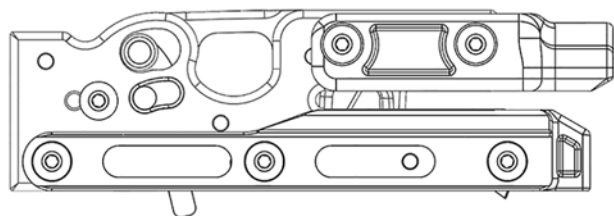
Contrôle de la flexion de la flèche

ENCOCHES

Utilisez uniquement des encoches AXE avec votre arbalète AX405. Les encoches AXE ont été spécialement conçues pour fonctionner avec le mécanisme de protection contre le tir à vide logé dans la coulisse de détente. Elles sont fabriquées dans un aluminium haute résistance ou en acier inoxydable, comme les encoches lumineuses AX Lit Nock, et elles sont capables d'absorber la forte énergie générée par votre arc.

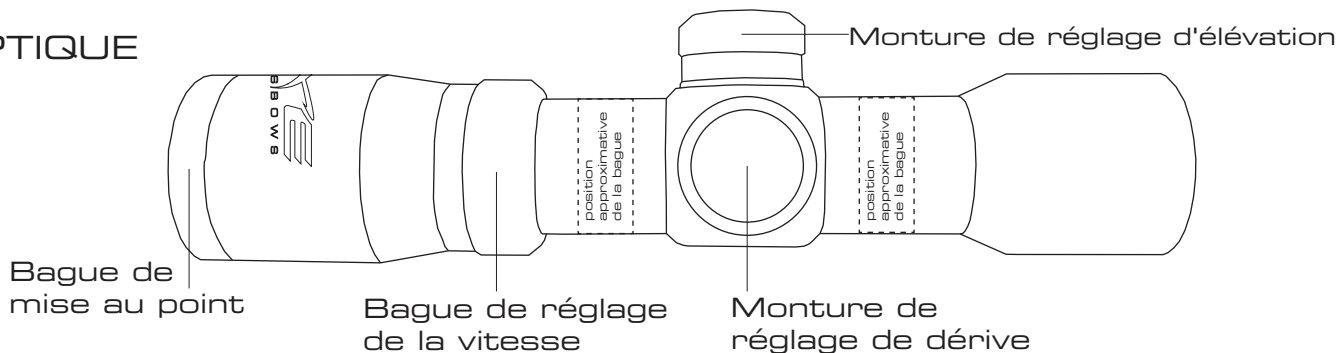
L'utilisateur doit s'assurer que l'encoche et que l'empenne blanche sont correctement orientées (voir plus bas). L'ouverture de l'encoche devrait être perpendiculaire à l'empenne (armement) blanche.

Si l'encoche est mal orientée, faites-la pivoter dans la position requise. Inspectez l'encoche pour vous assurer qu'il n'y a pas d'ébréchures ni de fissures. Si l'encoche est endommagée, remplacez-la par une encoche lumineuse en aluminium ou en acier inoxydable AXE seulement.



L'entonnoir à flèches est un outil utile pour garantir un chargement adéquat à chaque tir.

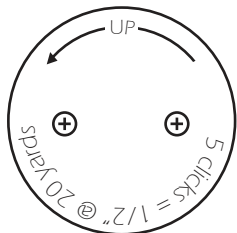
OPTIQUE



MONTAGE

1. Fixez les bagues inférieures sur le rail, à peu près dans les positions indiquées, en prévoyant un dégagement oculaire approprié d'environ 2 à 3 po entre votre œil et l'oculaire lorsque vous tenez votre arbalète AXE dans une position de tir. Ne serrez pas trop fort les vis situées sur les bagues inférieures de manière pouvoir encore les régler sur le rail.
2. Placez la lunette dans les bagues inférieures. Placez les bagues supérieures sur les bagues inférieures de sorte que la lunette soit encastrée. Serrez légèrement les vis des bagues supérieures de manière à toujours pouvoir déplacer librement la lunette dans la bague.
3. Avant de serrer les bagues, regardez dans la lunette dans votre position de tir normale. Réglez la lunette jusqu'à ce que vous trouviez le point le plus éloigné en avant afin d'assurer un dégagement oculaire maximum (au moins 2 pouces depuis votre œil) vous permettant d'avoir un champ de vision intégral.
4. Placez votre arbalète AXE sur une surface à niveau. Posez un petit niveau sur les branches pour vous assurer que l'arc est à niveau. Retirez le cache de la monture de réglage d'élévation et placez le niveau sur la monture de réglage d'élévation. Faites pivoter la lunette dans les bagues jusqu'à ce qu'elle soit à niveau avec les branches de votre arbalète AXE. Les marques du réticule horizontal devraient être parallèles aux branches de l'arbalète AXE.
5. Serrez les bagues supérieures, en alternant entre les vis avant et les vis arrière, tout en continuant de garder un œil sur les niveaux de votre lunette. Continuez de serrer légèrement et d'alternner entre l'avant et l'arrière jusqu'à ce que la pièce soit bloquée. Un serrage excessif des bagues de montage endommagera la lunette et annulera la garantie!
Couples de serrage recommandés :
15 lb-po pour la moitié supérieure des bagues de montage;
35 lb-po pour la moitié inférieure des bagues de montage.
6. Tournez la bague de réglage de la vitesse de manière à indiquer la vitesse publiée par le fabricant.

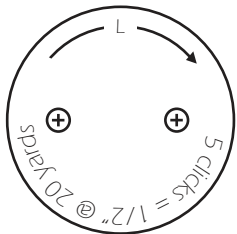
MONTURES RÉGLABLES



Élévation

Tourner dans le sens des aiguilles d'une montre pour abaisser le point d'impact.
Tourner dans le sens inverse des aiguilles d'une montre pour relever le point d'impact.

5 clics = 1/2 po à 20 verges

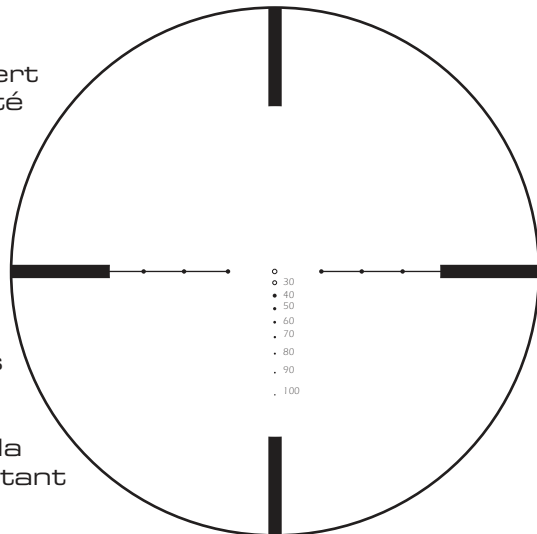


Dérive

Tourner dans le sens des aiguilles d'une montre pour déplacer le point d'impact vers la gauche.
Tourner dans le sens inverse des aiguilles d'une montre pour déplacer le point d'impact vers la droite.

RÉTICULE LUMINEUX

Votre lunette est dotée d'un réticule lumineux rouge ou vert sélectionnable. Le rhéostat d'éclairage est situé sur le côté gauche de la lunette. Il est recommandé de choisir un réglage de luminosité élevé en cas d'utilisation de jour, lorsque la lumière ambiante est intense. Lorsque la luminosité est basse, à l'aube ou au crépuscule, il est recommandé de choisir un réglage de luminosité inférieur. Il se peut que les niveaux de réglage inférieurs ne soient pas visibles en plein jour. Les réticules sont noirs dans la position « R » ou « G » lorsque la puissance de la pile est faible ou lorsque la pile est défectueuse. Les modèles de lunettes lumineuses AXE utilisent une petite pile au lithium circulaire CR2032. Pour insérer une pile, dévissez le couvercle du logement de la pile situé sur le dessus de la monture de réglage du rhéostat et insérer la pile en orientant la face positive « + » vers le haut/à l'écart de la lunette.



Avertissement : Il faut toujours tenir la moitié inférieure du rhéostat lorsqu'on desserre ou lorsqu'on serre le couvercle du logement de pile afin d'éviter des dommages.

ARMER ET DÉARMER L'ARBALÈTE

L'utilisateur doit commencer dans la position non armée (coulisse de détente en haut).

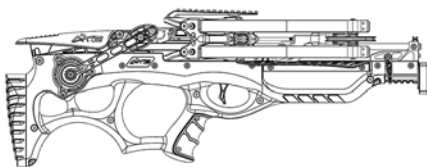
Tournez la manivelle dans le sens inverse des aiguilles d'une montre pour libérer la coulisse de détente. La coulisse descend vers la corde. Le système de protection contre le tir à vide émet un « clic » dès que la coulisse de détente contacte la corde.

Lorsque la coulisse de détente entre en contact avec la corde, poussez manuellement la coulisse sur la corde jusqu'à ce que le verrou émette un « clic » et bloque la corde. Vous devriez entendre un second « clic » et sentir les verrous bloquer la corde. (Le bouton de sécurité doit se trouver à la position TIR durant cette étape; il revient automatiquement vers la position TIR lorsqu'il est relâché.)

Tournez la manivelle dans le sens des aiguilles d'une montre pour commencer à tirer la corde vers l'arrière. (À mi-chemin, le bouton de sécurité est automatiquement déplacé vers la position de sécurité.)

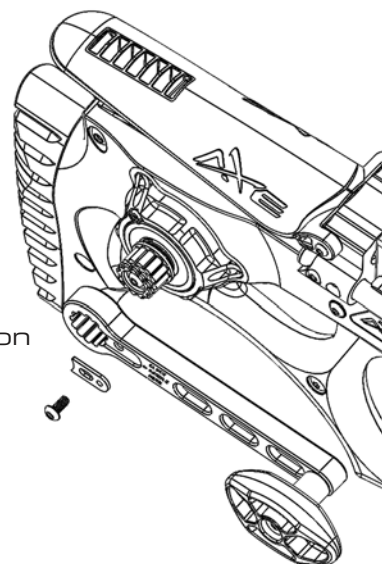
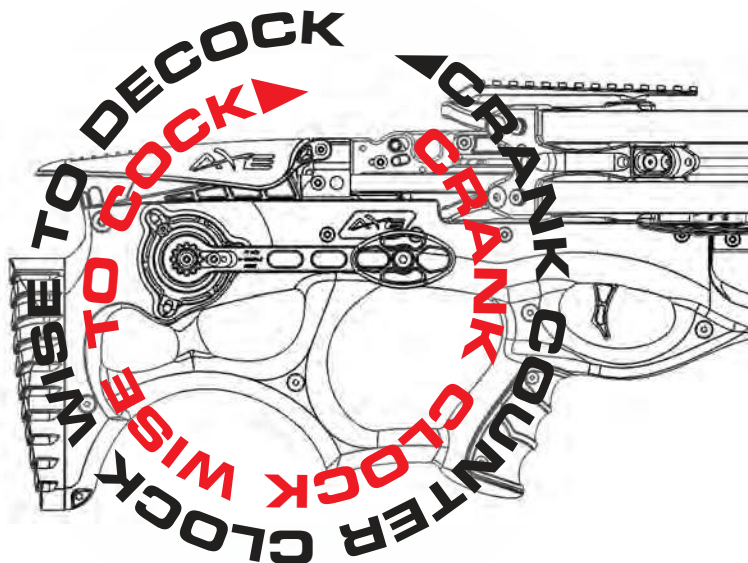
Lorsque la coulisse de détente touche la paroi arrière, arrêtez de tourner la manivelle (la manivelle est conçue pour rester tout le temps dans la même position lorsque le dispositif est complètement armé)

*Si la poignée de la manivelle n'est pas parallèle au sommet de la crosse ou dans la position désirée, retirez la vis de réglage et la plaque d'appui pour régler la position de la poignée.



Pour désarmer l'arbalète, assurez-vous que la détente est dans la position de sécurité et retirez la flèche. Après avoir retiré la flèche, tournez la manivelle dans le sens inverse des aiguilles d'une montre.

*Si vous désarmez sans décharger la flèche, la coulisse restera fixée à la corde jusqu'à la prochaine utilisation.



CHARGER ET DÉCHARGER L'ARBALÈTE

Armez votre arbalète AX405 en suivant les consignes fournies dans le paragraphe « ARMEMENT » du manuel.

L'utilisateur doit s'assurer visuellement que le bouton de sécurité est dans la position de « SÉCURITÉ » (bouton basculé en arrière, dans le cercle vert). Si le dispositif de sécurité n'est pas engagé, placez-le dans la position de sécurité manuellement.

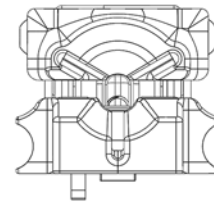


Pointez l'arbalète dans une direction sécuritaire lorsque vous chargez et déchargez l'arme.

NE PLACEZ JAMAIS VOS MAINS NI VOS DOIGTS DANS LA TRAJECTOIRE DE LA CORDE D'ARC! Gardez toujours vos mains en avant des cames.

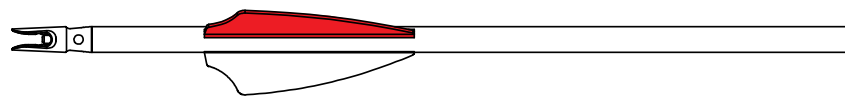
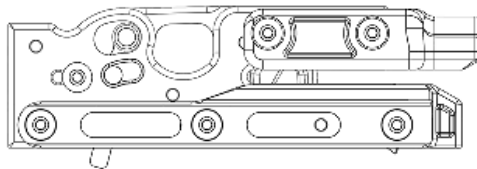
Lors des étapes de chargement et de déchargement, tenez le micro-vireton AX fermement en son extrémité, juste au-dessous de la pointe de chasse/pointe de parcours. **NE PLACEZ JAMAIS VOTRE MAIN EN AVANT DE LA POINTE DE LA FLÈCHE.** Chargez l'arbalète en gardant vos mains dans la zone de chargement sécuritaire (au-delà de la trajectoire de la corde d'arc - voir le schéma). Ne placez jamais vos mains dans la trajectoire de la corde d'arc lors des étapes de chargement et de déchargement.

Placez la flèche en orientant la penne à couleur distincte vers le bas. Alors que l'arbalète pointe vers un endroit sécuritaire, insérez l'extrémité à encoche de la micro-flèche AX sous l'arcade du support de branches et dans le centre de la coulisse de détente.



La coulisse de détente AX405 comprend un entonnoir à flèche intégré, conçu pour assurer le bon alignement de la flèche.

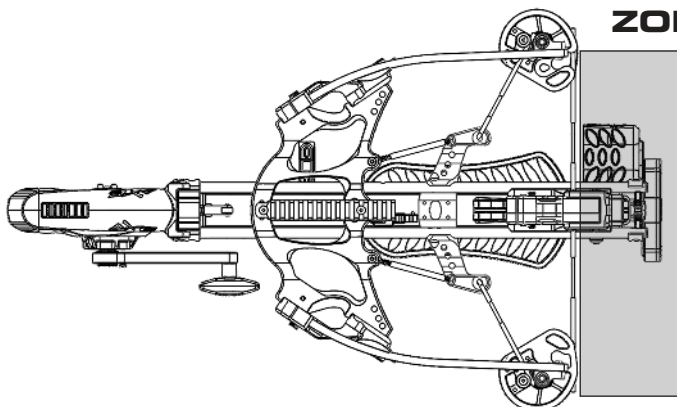
Lorsque la flèche est bien alignée dans l'entonnoir, enfoncez bien la flèche dans la coulisse de détente jusqu'à ce que l'encoche s'accroche à la corde d'arc. Vous devriez entendre et sentir un « clic ». Si l'encoche n'est pas bien fixée à la corde d'arc, l'arbalète AX405 ne tirera pas la flèche.



ZONE DE CHARGEMENT SÉCURITAIRE

Gardez toujours vos mains en avant des cames.

Figure C.



NE PLACEZ JAMAIS VOS MAINS DANS LA TRAJECTOIRE DE LA CORDE D'ARC

SÉQUENCE DE TIR

Les quatre techniques courantes

Avant d'utiliser l'arbalète, entraînez-vous à tenir l'arbalète afin de bien maîtriser la technique requise pour mettre l'arme en appui sur l'épaule et la tenir.

Quatre techniques communes à toutes les positions de tir ont une incidence sur votre capacité à maintenir la stabilité de l'arbalète et l'alignement des organes de visée, et à contrôler la détente. Il est important de pratiquer et de se familiariser avec ces techniques courantes pour chaque position de tir.

Les directives énoncées dans les pages ci-dessous s'adressent à des personnes droitières se trouvant en position debout, mais elles s'appliquent également à la position à genou et à la position de tir couchée. Étant donné que l'arbalète peut être utilisée à la fois par des tireurs droitiers et gauchers, il est conseillé aux utilisateurs gauchers d'inverser la position des mains et des épaules, selon les besoins.

Placement de la main gauche

Quelle que soit la position de tir, le tireur doit utiliser sa main gauche pour soutenir le poids de la partie avant de l'arbalète, en plaçant sa main sur la poignée avant. Le tireur doit saisir la base de la poignée avant avec la paume de la main gauche et enrouler les doigts et le pouce de chaque côté de la poignée. Il doit veiller à ce que la main, y compris les doigts et le pouce, reste en tout temps au-dessous du protège-doigt/pouce.

AVERTISSEMENT! ASSUREZ-VOUS DE GARDER EN TOUT TEMPS TOUS VOS DOIGTS AU-DESSOUS DES DISPOSITIFS DE PROTECTION ET À L'ÉCART DE LA TRAJECTOIRE DE LA CORDE D'ARC. À DÉFAUT DE RESPECTER CET AVERTISSEMENT, VOUS RISQUEZ DE VOUS BLESSER GRAVEMENT OU MORTELLEMENT.

Placement de la main droite

Quelle que soit la position de tir, le tireur doit utiliser sa main droite pour saisir et tenir fermement la poignée pistolet qui se trouve juste derrière la détente. L'index sert à appuyer sur la détente tandis que le pouce et les autres doigts sont enroulés autour de la poignée pistolet. Relâchez votre index de manière à pouvoir le déplacer indépendamment des autres doigts et le positionner naturellement sur la détente. Ne placez jamais votre doigt sur la détente à moins d'être prêt à tirer. **AVERTISSEMENT! ASSUREZ-VOUS DE GARDER EN TOUT TEMPS TOUS VOS DOIGTS AU-DESSOUS DES DISPOSITIFS DE PROTECTION ET À L'ÉCART DE LA TRAJECTOIRE DE LA CORDE D'ARC. À DÉFAUT DE RESPECTER CET AVERTISSEMENT, VOUS RISQUEZ DE VOUS BLESSER GRAVEMENT OU MORTELLEMENT.**

Placement de la plaque de couche dans le creux de l'épaule

Levez l'arbalète et placez la plaque de couche dans le creux formé dans l'épaule droite. Exercez une pression ferme vers l'arrière sur la poignée pistolet afin de bien positionner la plaque de couche contre l'épaule.

Cette mesure de précaution permet d'éviter à l'arbalète de glisser pendant le tir.

Le positionnement précis de la plaque de couche contre l'épaule varie selon les positions de tir; cela dit, il est primordial de toujours bien placer la plaque de couche à chaque position de tir pour obtenir des tirs groupés et la précision voulue.

Placement de la joue

Quelle que soit la position de tir, le placement de la joue droite contre la partie supérieure de la crosse arrière doit rester le même d'un tir à l'autre. Le fait de maintenir un contact serré entre la joue et la crosse permet à la tête du tireur et à l'arbalète de reculer ensemble, et de garder l'œil du tireur centré dans l'encoche de hausse de la lunette. Il est important de trouver la bonne distance pour positionner la joue sur la crosse de sorte que l'œil bénéficie d'une visée parfaite sur la cible à travers la lunette. Une fois cette distance trouvée, continuez d'appuyer la joue sur la crosse à cet endroit précis pour tous les tirs. La régularité de la mise en appui de la joue sur la crosse dépend de l'importance de la pression vers l'arrière exercée par la main droite sur la poignée pistolet.

ZÉROTAGE

Pour obtenir de meilleurs résultats, il est recommandé d'utiliser une banquette de tir ou des cannes de tir pour bien stabiliser l'arbalète.

Le zéroage de la lunette suppose que l'on règle le point de mire de sorte qu'il corresponde au point d'impact.

1. Choisissez un endroit sûr pour utiliser votre arbalète AXE.
Placez une cible adaptée à 10 verges et préparez-vous pour votre premier tir.
*Veillez à bien lire toutes les consignes d'armement et de chargement avant d'effectuer le zéroage.
2. Avant de tirer la première flèche, tournez la bague de réglage de la vitesse de manière à indiquer la vitesse publiée par le fabricant pour votre arbalète AXE (405).
3. Visez le centre de la cible en utilisant le point de visée 20 verges sur le réticule.
4. Retirez le cache de protection des montures de réglage de dérive et d'élévation pour pouvoir effectuer les réglages requis pour rapprocher le point d'impact du point de mire.
Par exemple, si le point d'impact est plus bas que le point de mire, tournez le cadran de réglage de l'élévation dans le sens inverse des aiguilles d'une montre.
Si le point d'impact est plus haut que le point de mire, tournez le cadran de réglage de l'élévation dans le sens des aiguilles d'une montre. À 10 verges, 5 clics déplacent le point d'impact d'un quart-de-pouce.
5. Une fois que le point d'impact correspond au point de mire à 10 verges, répétez cette étape à 20 verges. À 20 verges, 5 clics déplacent le point d'impact d'un demi-pouce.
6. Une fois que le point d'impact correspond au point de mire à 20 verges, répétez cette étape à 40 verges, en utilisant le point de visée 40 verges sur le réticule. À 40 verges, 5 clics déplacent le point d'impact d'un pouce.
Lorsque le point d'impact à 40 verges vous satisfait, remettez les caches de protection sur les montures de réglage d'élévation et de dérive.
Le zéroage de votre arbalète AXE est maintenant terminé.
*Comme avec toutes les armes (fusils, arcs et arbalètes), après des périodes prolongées de stockage, de transport et d'utilisation, il est sage de contrôler le point d'impact avant d'effectuer des tirs longue portée. Pour contrôler la précision de votre arbalète AXE, faites une visée à 10 verges, puis à 20 verges avant d'essayer des tirs avec une plus grande portée.

Étalonner la bague de réglage de vitesse

Pour étalonner la vitesse de tir correctement, il est important d'utiliser une micro-flèche AX adaptée dotée d'une pointe de parcours ou de chasse de 100 g. Si, à un moment ou à un autre, vous utilisez une pointe de parcours ou de chasse plus lourde, vous devez répéter la procédure de zéroage de votre lunette.

1. Installez une cible pour arbalète à 30 verges.
2. Visez le centre de la cible en utilisant le point de visée 30 verges sur le réticule.
Si le point d'impact est plus haut que le point de mire, tournez la bague de réglage de la vitesse vers une valeur légèrement inférieure. Si le point d'impact est plus bas que le point de mire, tournez la bague de réglage de la vitesse vers une valeur légèrement supérieure.
3. Une fois que le point d'impact correspond au point de mire à 30 verges, répétez cette étape à 40 verges.
4. Une fois que le point d'impact correspond au point de mire à 40 verges, cela signifie que la lunette est étalonnée en fonction de la vitesse de votre arbalète.
Il n'est pas nécessaire d'ajuster la bague de réglage de la vitesse pour d'autres distances.
Si vous modifiez l'ajustement de la bague de réglage de la vitesse, vous devrez étalonner à nouveau votre arbalète AXE en appliquant le même processus.

GARANTIE LIMITÉE DU FABRICANT

Pièces couvertes par la garantie :

Sous réserve des modalités, des conditions et des restrictions énoncées plus bas, la crosse, la détente et les branches de votre arbalète AXE (une filiale de FeraDyne Outdoors) sont garanties contre tout défaut de matériau et de fabrication non causé par une usure normale, une utilisation inappropriée ou un entretien inadéquat, tel que cela est défini par FeraDyne Outdoors.

Durée de la garantie :

Cette garantie limitée est valable 5 ans à compter de la date d'achat; vous devez fournir une preuve d'achat si vous décidez de retourner votre arbalète à FeraDyne Outdoors. Si vous n'avez pas de reçu de caisse, la date de fabrication sera utilisée pour déterminer la validité de la garantie de l'arbalète. Si le numéro de série ou la date de fabrication ont été effacés ou sont illisibles, la garantie est annulée.

Qui est couvert par la garantie :

Cette garantie ne couvre que les arbalètes AXE du propriétaire initial. Elle ne peut pas être cédée ni transférée à une autre personne.

Ce qui n'est pas couvert par la garantie :

Les pièces qui ne sont pas couvertes par cette garantie incluent, sans toutefois s'y limiter, les cordes, les câbles, les coulisses de câble, les ressorts de retenue de flèche, les silencieux de corde, les dispositifs d'arrêt de corde, les amortisseurs de branche, les accessoires présents dans la trousse de l'arbalète, les défauts esthétiques visant des pièces ou des finitions, ainsi que l'usure normale.

Ces pièces sont soumises à une grande variété de conditions en cours d'utilisation normale, et elles sont considérées comme des consommables. La corde et les câbles doivent être remplacés au moins tous les 2 ans, en partant du principe qu'elles subissent une usure normale par suite de leur utilisation.

La présente garantie est annulée si l'une des situations ci-dessous se produit :

- Les consignes énoncées dans le manuel d'utilisation ne sont pas respectées.
- L'arbalète ou des pièces ou accessoires sont endommagés ou déplacés de leur position d'origine.
- Un dommage a été causé par suite d'un usage abusif ou d'une négligence.
- Un dommage a été causé par suite d'un tir à vide.
- Un dommage a été causé à la suite de l'utilisation de flèches non recommandées.
- L'arbalète a été louée ou prêtée en vue d'être utilisée par un détaillant, un grossiste, un champ de tir ou un autre organisme commercial, que des frais aient été perçus ou non.
- Un utilisateur a essayé de trafiquer, de démonter ou de modifier les caractéristiques standard de l'arbalète, autrement que tel que cela est précisé dans le manuel de l'utilisateur.
- Une défaillance ou un dommage a été causé(e) à la suite d'un étalonnage inapproprié ou d'une utilisation non prévue.
- L'arbalète n'a pas été entretenue correctement, ce qui inclut la non-exécution de l'inspection annuelle par un vendeur d'arbalètes agréé, tel que le prévoient les directives du manuel de l'utilisateur.
- L'arbalète a été utilisée à des fins autres que la chasse ou le tir sur cible.
- L'arbalète a été utilisée dans des conditions qui pourraient causer des blessures corporelles.

Voici ce que vous offre Feradyne Outdoors :

FeraDyne Outdoors offre le recours exclusif à une réparation pour toute arbalète qui s'avère raisonnablement défectueuse en raison d'un vice touchant le matériau ou la fabrication. FeraDyne Outdoors se réserve le droit de déterminer si un article est couvert par la garantie du fabricant lorsque le produit lui est retourné à des fins d'inspection. Si un produit est jugé défectueux, il sera réparé avec des pièces disponibles à la seule discrétion du service de réparation AXE. S'il n'est pas possible de réparer l'arbalète, elle sera échangée ou remplacée par le même produit; si aucun produit identique n'est disponible, l'arbalète sera remplacée par le produit qui s'en rapproche le plus, à la discrétion de FeraDyne Outdoors.

Comment bénéficier d'un service :

Pour être éligible à un service prévu en vertu de cette garantie, vous DEVEZ enregistrer la garantie en ligne dans les 30 jours qui suivent l'achat de votre arbalète. La garantie limitée n'entre en vigueur que si vous enregistrez la garantie dans les 30 jours suivant l'achat de votre produit. En vous enregistrant, vous acceptez expressément toutes les conditions énoncées dans la présente police de garantie limitée. Si vous pensez avoir acheté ou reçu un produit défectueux, vous devez demander un numéro d'autorisation de retour de marchandise (NAR) en faisant une réclamation au titre de la garantie sur le site <https://feradyneoutdoors.returnsportal.net/>. Toutes les réclamations formulées au titre de la garantie visant des arbalètes AXE doivent être accompagnées d'une photo; les réclamations présentées sans photo seront rejetées, et il vous sera demandé de présenter une nouvelle réclamation accompagnée d'une photo.

Tous les accessoires doivent être retirés de l'arbalète avant de retourner cette dernière à FeraDyne Outdoors aux fins de réparation. FeraDyne Outdoors n'est pas responsable des dommages ou des pertes touchant des accessoires laissés sur l'arbalète. Les articles retournés sans NAR seront rejetés et renvoyés à l'expéditeur. Vous devrez payer les frais d'expédition pour renvoyer à nouveau l'arbalète à FeraDyne Outdoors. Si, après avoir examiné une arbalète, FeraDyne Outdoors détermine que le produit n'est pas couvert par la garantie limitée, le propriétaire en sera informé, et le produit sera réexpédié au propriétaire aux frais de FeraDyne Outdoors. Aucuns frais ne seront facturés pour l'inspection. Les réparations qui ne sont pas couvertes par la présente garantie limitée, ou les mises à niveau, en cas de nécessité, peuvent être effectuées au taux de réparation en vigueur fixé par FeraDyne Outdoors.

**NE RETOURNEZ PAS VOTRE ARTICLE À UN MAGASIN DE DÉTAIL OU À UN VENDEUR EN LIGNE À MOINS QUE FERADYNE OUTDOORS VOUS LE DEMANDE;
CONTACTEZ LE SERVICE À LA CLIENTÈLE DE FERADYNE OUTDOORS EN VISITANT LE SITE :**

feradyne.com/contact/

FeraDyne Outdoors n'est pas responsable des pertes ou des dommages touchant une arbalète lorsqu'elle a été réparée et expédiée depuis son usine.

Conditions d'application de la loi provinciale :

La présente garantie limitée vous confère des droits spécifiques sur le plan juridique. Vous pouvez également faire valoir d'autres droits qui varient d'une province à l'autre. La présente garantie est régie par les lois de l'État du Wisconsin, É.-U.

Restrictions visant la garantie et les responsabilités :

Votre seul et unique recours prévu en vertu de cette garantie limitée est la réparation ou le remplacement des pièces défectueuses ou des défauts de fabrication. En aucun cas, FeraDyne Outdoors, ses concédants de licence, ses distributeurs et ses fournisseurs ne sont tenus responsables en cas de dommages directs, indirects, accessoires, spéciaux, exemplaires ou immatériels, de frais, de perte de profit, de pertes économiques, de perte d'exploitation, de perte de renseignements commerciaux, de dommages matériels, de blessures corporelles (y compris la mort), de troubles émotifs, de douleurs et de souffrances ou de tout autre dommage découlant de l'utilisation ou de l'incapacité à utiliser le produit, même si FeraDyne Outdoors, ses concédants de licence, ses distributeurs ou ses fournisseurs ont été informés de la possibilité que surviennent de tels dommages. Vous reconnaissez que le prix d'achat payé pour le produit tient compte de cette répartition du risque et de l'exclusion des dommages. Certaines provinces n'autorisent pas l'exclusion ou la limitation des dommages accessoires ou indirects; il se peut, par conséquent, que les restrictions ci-dessus ne s'appliquent pas à votre cas. Si la limitation de responsabilité ne s'applique pas, en aucun cas, la responsabilité de FeraDyne Outdoors vis-à-vis des dommages matériels ne doit dépasser le plus important des montants suivants : 50 000 \$ ou le prix payé pour le produit qui a causé lesdits dommages.

Période de limite de garantie :

Toutes les garanties implicites aux termes de la loi doivent être limitées à 2 ans à compter de la date de l'achat initial ou à la période de restriction applicable dans la province dans laquelle le dommage est survenu, la période la plus courte prévalant. Certaines provinces ne permettent pas de limites quant à la durée de la garantie implicite; par conséquent, les restrictions ci-dessus peuvent ne pas s'appliquer à votre cas. Toute action contre FeraDyne Outdoors basée sur une violation alléguée de garantie doit être déposée devant le tribunal dans les 12 mois qui suivent la violation reprochée.

Obligation intégrale :

Ce document décrit l'obligation intégrale de FeraDyne Outdoors en ce qui concerne le produit. Si une partie de cette garantie limitée (y compris les avis de non-responsabilité et les limites de responsabilité de FeraDyne) est déclarée nulle, non applicable ou illégale, la disposition non valable ou non applicable doit être remplacée par une disposition valable exécutoire qui correspond plus à l'intention de la disposition d'origine, et le reste de l'entente doit rester pleinement en vigueur. FeraDyne Outdoors ne formule aucune autre garantie allant au-delà des termes de la présente garantie limitée. Aucun agent, employé ou vendeur de FeraDyne Outdoors, ses concédants de licence, ses distributeurs ou ses

fournisseurs, ni aucune personne employée par le détaillant ou le vendeur auprès duquel vous avez acheté votre produit, n'est autorisé à modifier, à prolonger ou à renoncer aux conditions de cette garantie limitée. Toute promesse ou déclaration faite par d'autres personnes à un moment donné ne peut s'appliquer à FeraDyne Outdoors.

AVANT TOUTE UTILISATION, VEUILLEZ LIRE ET RESPECTER TOUTES LES INFORMATIONS ET CONSIGNES DE SÉCURITÉ FOURNIES AVEC VOTRE PRODUIT. LE FAIT DE NE PAS APPLIQUER CETTE MESURE DE PRÉCAUTION PEUT CAUSER DE GRAVES BLESSURES OU DES DOMMAGES À VOTRE ARBALÈTE.

Envoyez ce formulaire par courriel ou utilisez le lien ci-dessous pour vous enregistrer en ligne, en allant sur le site feradyne.com/warranties

Pour les services offerts dans le cadre de la garantie, contactez le service à la clientèle en visitant le feradyneoutdoors.returnsportal.net

Sous réserve des dispositions de la présente garantie limitée, les articles de chasse AXE sont fournis « tels quels ».

Envoyez le formulaire à :
Feradyne Outdoors 1230 Poplar Ave
Superior, WI 54880

Veuillez écrire en lettres moulées

N° de modèle et nom du produit _____

Date d'achat _____

Lieu de l'achat _____

Adresse (rue, ville, province, code postal) _____

Nom de l'acheteur _____

Adresse de l'acheteur (rue, ville, province, code postal) _____

Numéro de série _____

Riser #

Trigger slide box #

Numéro de téléphone de l'acheteur _____

Adresse électronique de l'acheteur _____

En signant et en renvoyant ce formulaire d'enregistrement de la garantie, l'utilisateur reconnaît qu'il a lu et compris les informations relatives à la garantie. L'utilisateur accepte lesdites garanties et les limites associées, telles qu'elles sont répertoriées. La signature de l'utilisateur figurant sur le formulaire d'enregistrement de la garantie atteste également que l'utilisateur a lu et compris les consignes et les avertissements de sécurité énoncés dans le manuel, et que l'utilisateur reconnaît leur importance.

Signature: _____

Date: _____